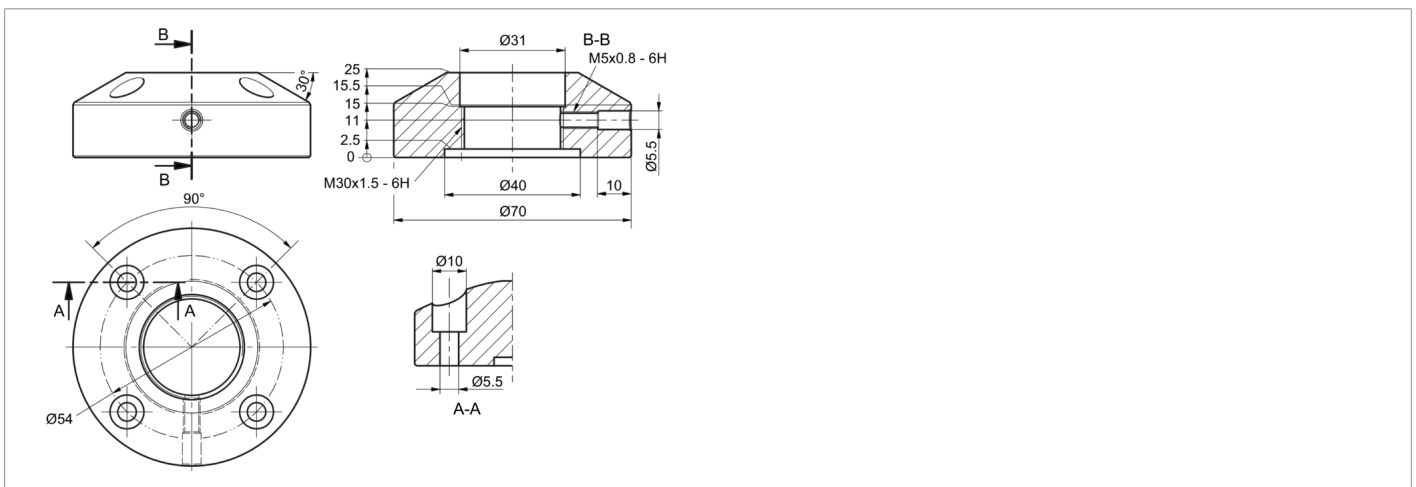
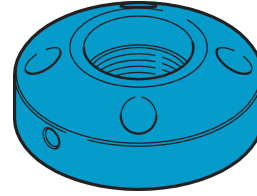


214285
SBT-MF2-M30
Assembly flange

- Simple assembly of the SBP-RGB / SBT-RGB,, by screwing in



Technical data (typ.)

Diameter	Ø 70 mm (Diameter)
Height	25 mm
Housing material	Aluminum
Component	Assembly flange
Design	Cylinder
To be used for	SBT-RGB ..., SBP-RGB ...

More information / accessories

<https://www.di-soric.com/214285>