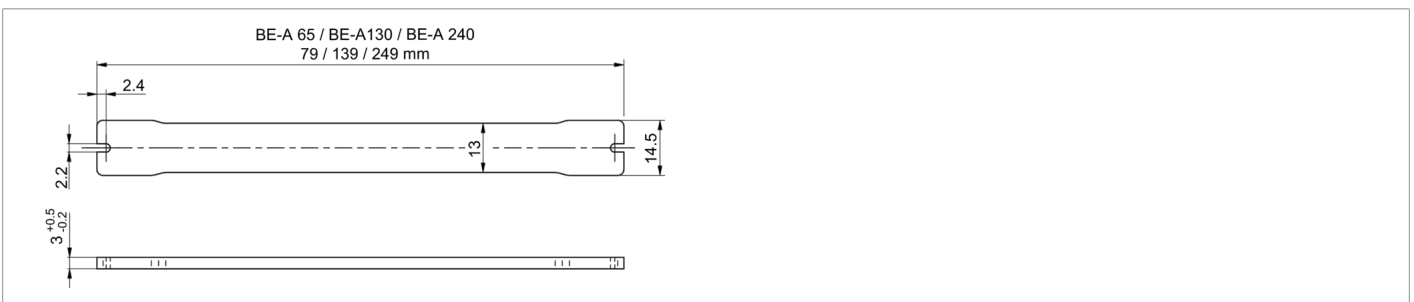
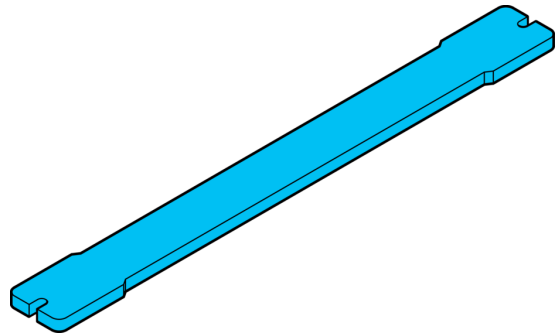




213566
BE-A130-LTK
Safety screen

- Lenticular protective cover
- Easily exchanged



Technical data (typ.)	
Assembly	Using fixing screws
Housing dimensions	14.5 x 3 x 139 mm
Housing length	139 mm
Housing height	3 mm
Housing width	14.5 mm
Housing material	Plastic (PC)
Structure	PC base material laminated on with 3M 467 lenticular film
Weight	12 g
Component	Safety screen
Characteristics	Film structure parallel to narrow side
To be used for	Barlights BE-A130 ...
Scope of delivery	1 safety screen, Fixing material
Transmission	79 %
Ambient temperature during operation	0 ... +40 °C
More information / accessories	
	https://www.di-soric.com/213566