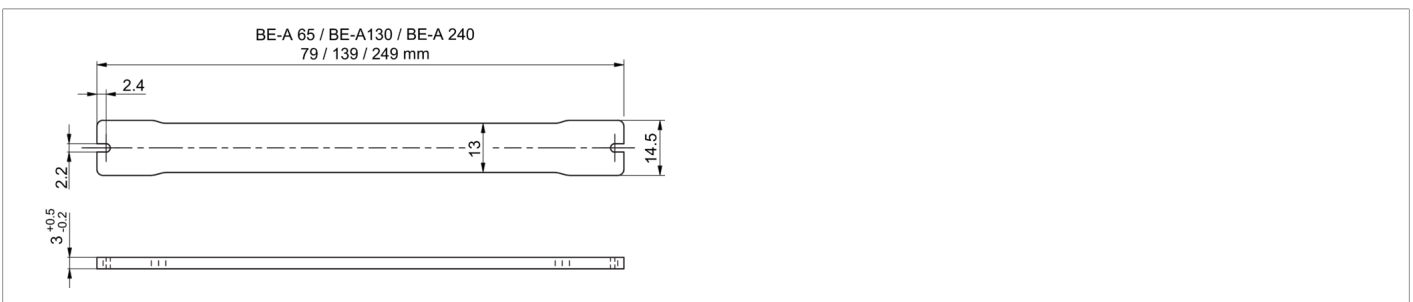
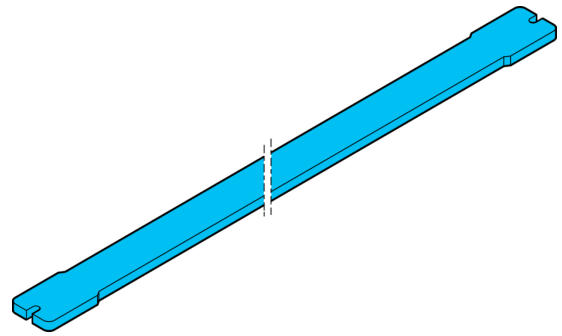




213564
BE-A240-POL
Safety screen

- Polarized protective cover
- Easily exchanged



| Technical data (typ.) | |
|---|--|
| Assembly | Using fixing screws |
| Housing dimensions | 14.5 x 3 x 249 mm |
| Housing length | 249 mm |
| Housing height | 3 mm |
| Housing width | 14.5 mm |
| Housing material | Plastic (PMMA) |
| Structure | PMMA base material of polarization filter laminated on with an optically clear, strapless acrylate adhesive |
| Weight | 20 g |
| Component | Safety screen |
| Characteristics | Polarization direction is parallel to the long side |
| To be used for | Barlights BE-A240 ... |
| Operating modes | With a pulse / pause ratio of the light colors white / blue over 75%, full guarantee only with external cooling. |
| Scope of delivery | 1 safety screen, Fixing material |
| Transmission | 40 % |
| Ambient temperature during operation | 0 ... +40 °C |
| More information / accessories | |
| https://www.di-soric.com/213564 | |