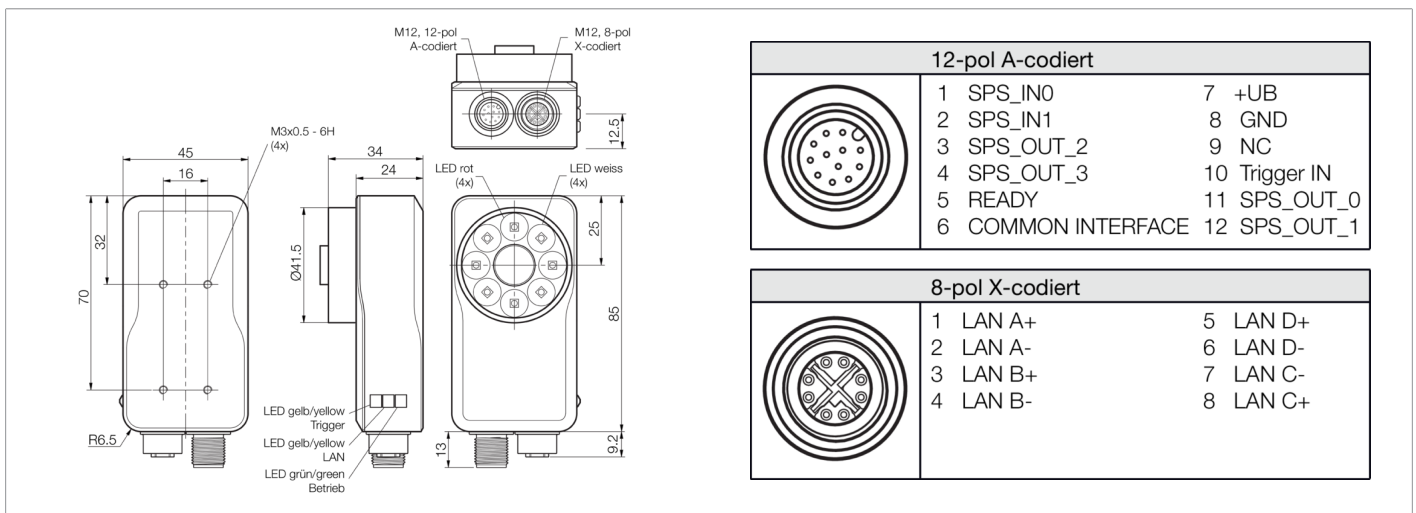




213363
CS60-BM38-EP15/400ID
CS 60 Vision Sensor

- Inspection tasks: Localization, Parts recognition, Counting, Measure, ID code localization and recognition (read code)
- The specialist, compact and high-performance
- High power LED illumination in red and white
- Flexible and productive Software nVision-i
- Parameter changes via linked Profinet inputs during execution
- Simple & intuitive parameterization
- Flexible working distances of 50 - 2,000 mm by changing lenses
- Customization option



| Function | | | | | | | | | |
|----------|--|--|--|--|--|--|--|--|--|
| | | | | | | | | | |

| Technical data (typ.) | +20°C, 24 V DC |
|---------------------------------|---|
| Service voltage | 18 ... 30 V DC |
| No-load current (max.) | 1000 mA (24 V DC) |
| Insulation voltage endurance | 500 V |
| Housing material | Die-cast zinc (Black, powder-coated) |
| Material | PMMA (Window / optics) |
| Lens connection | S-mount |
| Weight | 265 g |
| Protection class | III, operation on protective low voltage |
| Risk group (DIN EN 62471) | Risk group 1 |
| Approvals | UL |
| Model | CS 60 |
| Design | Cuboid design |
| Type | IMX273 |
| Note | EtherNet/IP from nVision-i 24.1 |
| Inspection tasks | Localization, Parts recognition, Counting, Measurement, Read code |
| Shutter | global |
| Code type - 1D-Codes (barcodes) | Code 2 of 5, Codabar, Code 128, Code 39, Databar, UPC / EAN, Pharmacode |
| Code type - 2D-Codes | Aztec Code, Data Matrix, Dotcode, QR |
| Code type - Stacked codes | PDF 417 |
| Scope of delivery | CS60-BM38-EP15/400ID, O-S1-S-080-40, CS60-WINDOW |
| Internal lights | High power lighting white and red can be switched via software |



213363
CS60-BM38-EP15/400ID
CS 60 Vision Sensor

| Technical data (typ.) | +20°C, 24 V DC |
|--------------------------------------|--|
| Switching output | Push-pull, 100 mA |
| Switching output number | 4 (programmable, 1 (Ready)) |
| Voltage drop (max.) | 2 V |
| Interface | <ul style="list-style-type: none"> ■ Ethernet ■ Digital Input/Output |
| Protocols | TCP/IP, FTP/SFTP, Profinet, EtherNet/IP |
| Color | Red / white switchable (internal) |
| Focal length | 8 mm (exchangeable S-mount lens) |
| Optical format | 1/2.9" |
| Resolution | 1456 x 1088 Pixel |
| Working distance | 50.0 ... 2000 mm |
| Display | LED Green - Operation, yellow - DATA-Link yellow - Trigger |
| FPS - Frames Per Second (max.) | 30 images/second |
| Flash length | < 2 ms |
| Ambient temperature during operation | 0 ... +50 °C |
| Vibration/shock resistance | 10 to 55 Hz / 1.0 mm / 30 g / 11 ms |
| Protection type | IP 67 |
| Connection | Connector, M12, 12-pin (A-coded) |
| Connection 2 | Socket, M12, 8-pin (X-coded) |
| Cable | Connection cables max. 25 m |
| More information / accessories | https://www.di-soric.com/213363 |