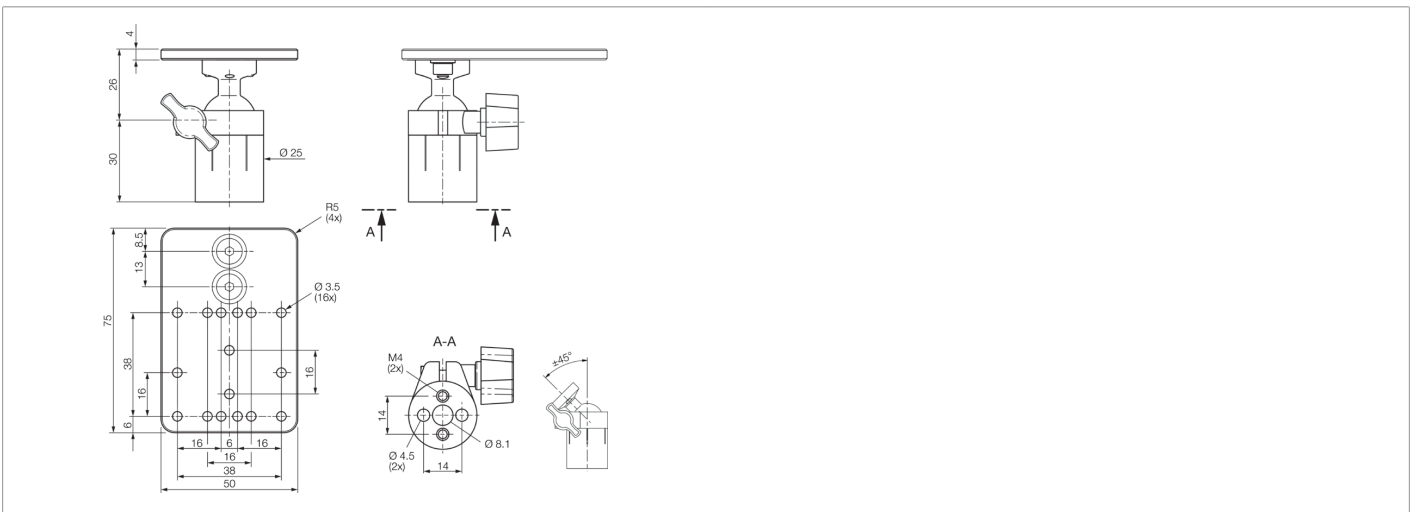
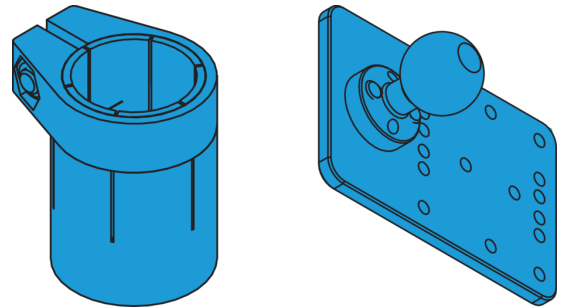


**213328**  
**HS-VS-CS60-MP-KK-M3**  
**Holding system ball head CS60**

- Load capacity min. 60 Nm (static)
- Torsional strength min. 8 Nm
- Adjustment range: 45°(Inclination) / 360° (rotation)



#### Technical data (typ.)

|                    |   |
|--------------------|---|
| Housing dimensions | 75 x 50 x 35 mm   |
| Housing material   | Aluminum  |
| Component          | Holding system ball head CS60   |
| To be used for     | Area lights BEK-FL ...  |
| Product series     | Z-UBT-KU-PH Product bracket   |
| Scope of delivery  | Adapter plate (BEK-F - CS 60), Ball head, Ball housing, Fixing material |

#### More information / accessories

<https://www.di-soric.com/213328>