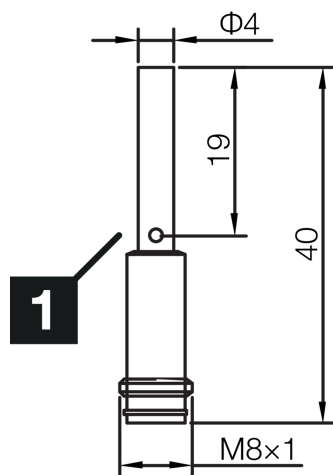




213227
INSM-D04-B0.8PO-T3
Inductive proximity sensor

- Double switching distance
- Metal connector M8
- Short-circuit protection
- LED switching status display
- High protection type



1) LED

BK: black

BN: brown

BU: blue

Function



Technical data (typ.)

+20°C, 24 V DC

Service voltage	10 ... 30 V DC
Internal power consumption	10 mA
Insulation voltage endurance	< 500 V DC
Installation type	Flush
Diameter	Ø 4.0 mm (Diameter)
Housing length	40 mm
Housing material	Stainless steel (V2A)
Protection class	III, operation on protective low voltage
Operating principle	inductive
Evaluation	digital
Design	Cylinder
Characteristics	Double switching distance
Product series	INM-100 Miniature
Switching output	pnp, 200 mA, NC
Voltage drop (max.)	1.5 V DC
Switching distance (SN)	0.8 mm
Standardized measuring plate	4 x 4 x 1 mm
Switching hysteresis (max.)	< 10 %
LED Anzeige	Yes
Switching frequency	2000 Hz



213227

INSM-D04-B0.8PO-T3

Inductive proximity sensor

Technical data (typ.)

+20°C, 24 V DC

Ambient temperature during operation

-25 ... +70 °C

Protection type

IP 67

Connection

Connector, M8, 3-pin, A-coded

More information / accessories

<https://www.di-soric.com/213227>