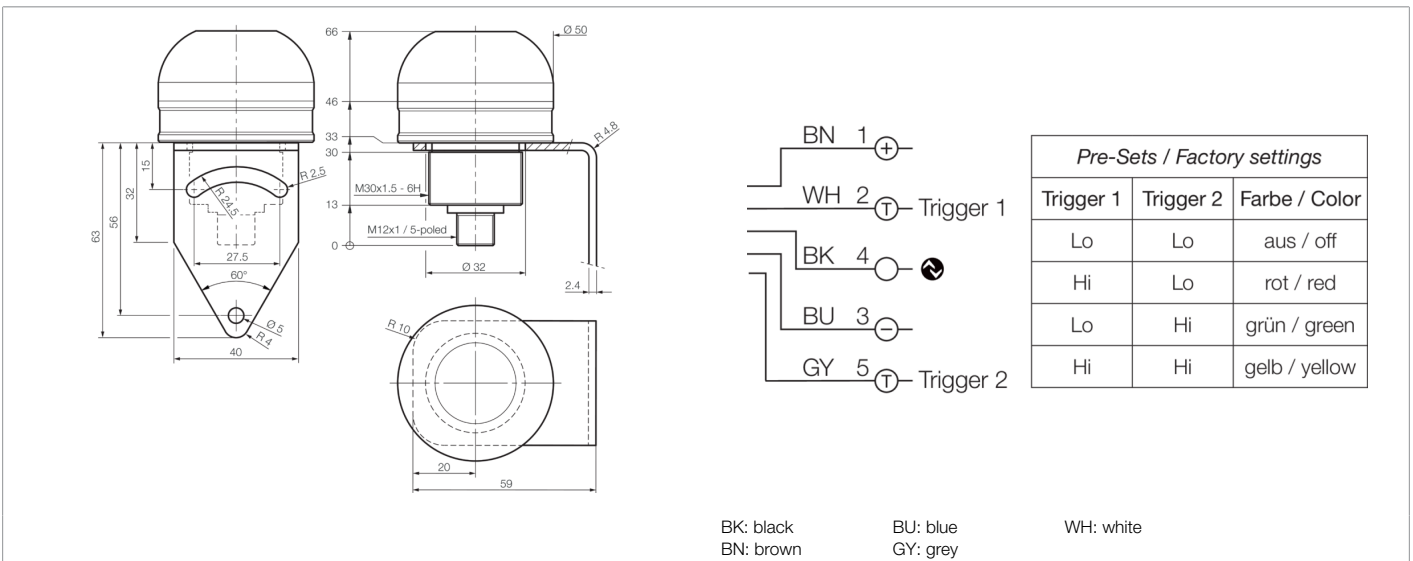




**213083**  
**SBP-RGB-R50D-B5**  
**Signal lighting**

- Status display 360°
- High illuminance due to state-of-the-art, highly efficient LEDs
- Low energy consumption
- Can be used immediately thanks to three color pre-sets: red - green - yellow
- Freely configurable functions via IO-Link
- High protection type IP 67
- Easy installation



Function											

Technical data (typ.)	+20°C
Service voltage	22.8 ... 25.2 V
Internal power consumption	70 mA (24 V DC)
Power	1.5 W (24 V DC)
Inverse polarity protection	Yes
Illuminated area	50 x 20 mm (Ø x H)
Number of segments	1
Housing material	Aluminum (natural, Anodized)
Material	PC diffuse, dome-shaped (Diffusor)
Weight	106 g
Protection class	III
Product series	SBP-RGB Point
Operation modes	Static / blinking / flashing
Buzzer	Without buzzer
Light intensity can be adjusted	10 to 100 %
Scope of delivery	Mounting bracket
Trigger input high level	> 8.0 V
Trigger input low level	< 5.0 V
Interface	IO-Link (V1.1, COM2 38.4 kBd, 2300 µs)
Color	RGB
Ambient temperature during operation	0 ... +40 °C

**213083****SBP-RGB-R50D-B5****Signal lighting****Technical data (typ.)****+20°C**

Vibration/shock resistance

10 to 55 Hz / 1.0 mm / 30 g / 11 ms

Protection type

IP 67

Connection

Connector, M12, 5-pin

**More information / accessories**<https://www.di-soric.com/213083>