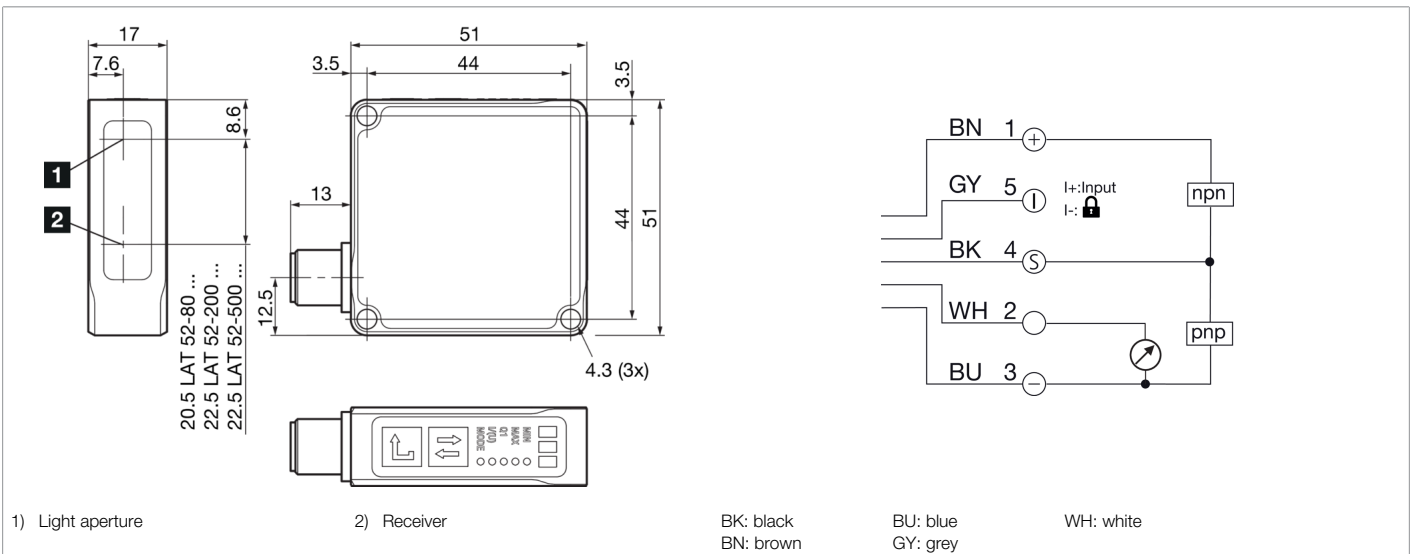




212855
LAT52-80IU-B5
Laser distance sensors

- IO-Link
- Precisely linearized object detection
- Large detection range
- 3 operating modes as an IO-Link parameter
- Laser class 1
- Red-light laser, with small laser spot
- Easy to operate
- Robust metal housing



Function												

Technical data (typ.)	+20°C, 24 V DC
Service voltage	18 ... 30 V DC (Supply Class 2)
No-load current (max.)	60 mA
Insulation voltage endurance	500 V
Housing dimensions	51 x 51 x 17 mm
Housing material	Die-cast zinc (Black, powder-coated)
Material window / optics	Plastic
Weight	102 g
Protection class	III, operation on protective low voltage
Approvals	UL
Design	Cuboid design
Operation modes	Standard operating modes: General applications, Speed: Quick measurement (measuring rate 1,200 Hz), Power: For dark objects
Switching output	Push-pull (1x), 100 mA, NO/NC
Voltage drop (max.)	2 V
Analog output	0 ... 10 V, 4 ... 20 mA
Interface	<ul style="list-style-type: none"> ■ IO-Link V1.1, COM2 ■ Smart Sensor Profile
Light source	Laser
Laser class	CLASS 1 LASER PRODUCT, 1 (IEC 60825-1:2014 / EN 60825-1:2014)
Color	Red



212855
LAT52-80IU-B5
Laser distance sensors

Technical data (typ.)		+20°C, 24 V DC	
Wavelength		650 nm (Pp < 0.65 mW t = 4 µs)	
Light spot size		Ø 0.5 mm	
Measuring range		30 ... 80 mm (6 to 90 % remission)	
Resolution		0.01 mm (Mode: Standard, median value 16)	
Reproducibility		0.02 mm, Mode: Standard, median value 16	
Linearity error		0.1 % (Mode: Standard, median value 16)	
Sensitivity adjustment		Keypad	
Display		LED Green - Status, yellow - Switching output, Red - Signal weak	
Measuring frequency		1000 Hz, (max. 1200 Hz in Speed sensor mode without filter)	
Readiness delay (max.)		300 ms	
Shock/vibration load		30 g, 10 ... 55 Hz / 0.5 mm	
Ambient temperature during operation		0 ... +50 °C	
Temperature drift		0.04 %/K	
Protection type		IP 67	
Connection		Connector, M12, 5-pin	
Connection cable		VK ... /5	
More information / accessories		https://www.di-soric.com/212855	