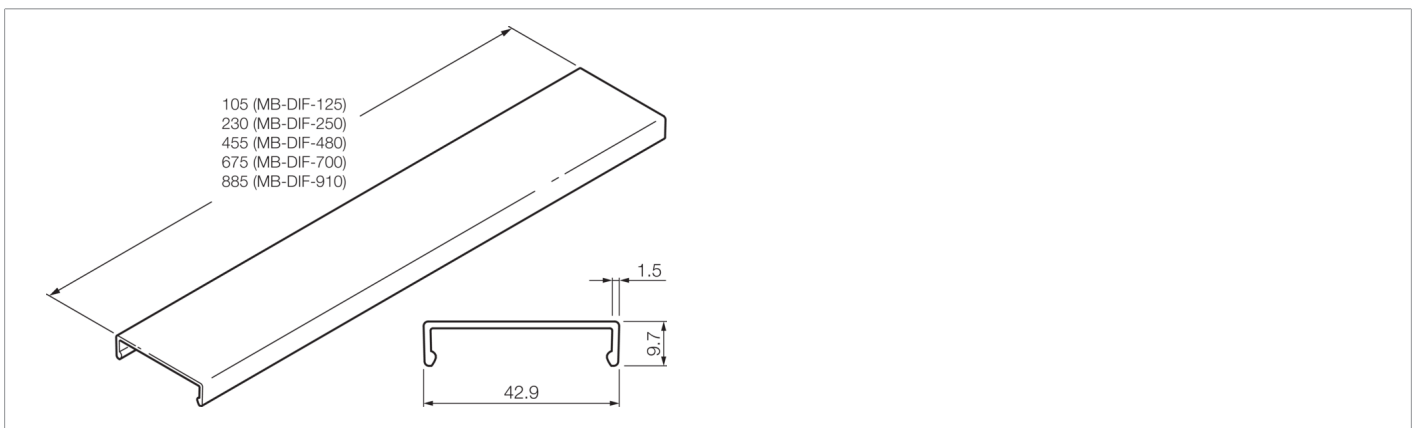
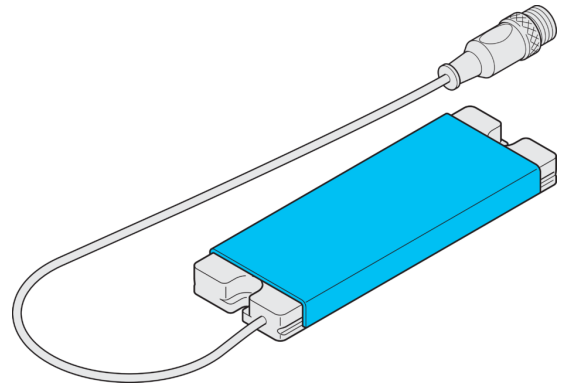




- Diffusion filter
- For a homogeneous light reduction and illumination
- Quick and easy mounting



Technical data (typ.)	+20°C
Illuminated area	105 x 40 mm
Mounting	Using clamping groove
Material	PC diffuse (Window)
Weight	12 g
Component	Diffusor panel
To be used for	MB-N-125 ...
More information / accessories	https://www.di-soric.com/210532