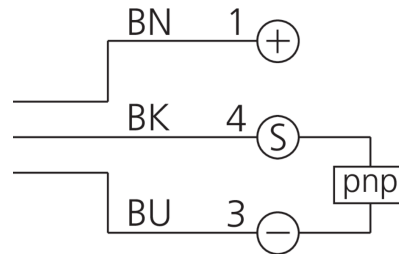
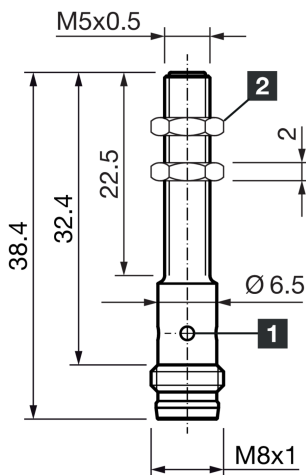




**210482**  
**DCC 05 V 1.5 PSK-TSL**  
**Inductive proximity sensor**

- Stainless steel housing
- Metal connector M8
- Integrated amplifier
- Short-circuit protection
- Starting pulse suppression
- LED



1) LED 4 x 90° (yellow)

2) Width over flats 7 mm

BK: black

BN: brown

BU: blue

**Function**



**Technical data (typ.)**

**+20°C, 24 V DC**

|                              |  |
|------------------------------|--|
| Service voltage              | 10 ... 30 V DC                           |
| Internal power consumption   | < 10 mA                                  |
| Insulation voltage endurance | 500 V                                    |
| Installation type            | Flush                                    |
| Thread                       | M5 x 0.5                                 |
| Housing length               | 38.4 mm                                  |
| Housing material             | Stainless steel (AISI303)                |
| Material of sensor probe     | PBT                                      |
| Protection class             | III, operation on protective low voltage |
| Operating principle          | inductive                                |
| Evaluation                   | digital                                  |
| Design                       | Thread                                   |
| Characteristics              | increased operating distance             |
| Product series               | INM-300 Miniature Extended               |
| Switching output             | pnp, 100 mA, NO                          |
| Voltage drop (max.)          | 1.5 V (100 mA)                           |
| Switching distance (SN)      | 1.5 mm                                   |
| Standardized measuring plate | 4 x 4 x 1 mm                             |
| Switching hysteresis (max.)  | 1 ... 20 %                               |
| LED Anzeige                  | Yes                                      |



**210482**

**DCC 05 V 1.5 PSK-TSL**

**Inductive proximity sensor**

**Technical data (typ.)**

**+20°C, 24 V DC**

Switching frequency

5000 Hz

Ambient temperature during operation

-25 ... +70 °C

Protection type

IP 67

Connection

Connector, M8, 3-pin, A-coded

Connection cable

TK ...

**More information / accessories**

<https://www.di-soric.com/210482>