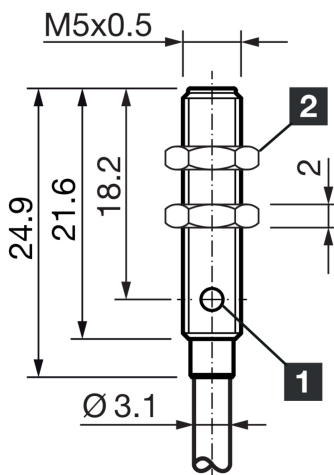




210379
DCC 05 V 0.8 NSLK
Inductive proximity sensor

- Stainless steel housing
- Highly flexible cable
- Integrated amplifier
- Short-circuit protection
- Starting pulse suppression
- LED



1) LED

2) Width over flats 7 mm

BK: black

BN: brown

BU: blue

Function

--	--	--	--	--	--	--	--	--	--	--	--

Technical data (typ.)	+20°C, 24 V DC
Service voltage	10 ... 30 V DC
Internal power consumption	< 10 mA
Insulation voltage endurance	500 V
Installation type	Flush
Thread	M5 x 0.5
Housing length	24.9 mm
Housing material	Stainless steel (AISI303)
Material of cable	Polyurethane
Material of sensor probe	PBT
Tightening torque	1.5 Nm
Protection class	III, operation on protective low voltage
Operating principle	inductive
Evaluation	digital
Design	Thread
Product series	INM-100 Miniature
Switching output	npn, 100 mA, NO
Voltage drop (max.)	1.5 V (100 mA)
Switching distance (SN)	0.8 mm
Standardized measuring plate	4 x 4 x 1 mm
Switching hysteresis (max.)	1 ... 20 %



210379
DCC 05 V 0.8 NSLK
Inductive proximity sensor

Technical data (typ.)	+20°C, 24 V DC
LED Anzeige	Yes
Switching frequency	5000 Hz
Ambient temperature during operation	-25 ... +70 °C
Protection type	IP 67
Connection	Cable, 2.0 m (flying leads)
More information / accessories	https://www.di-soric.com/210379