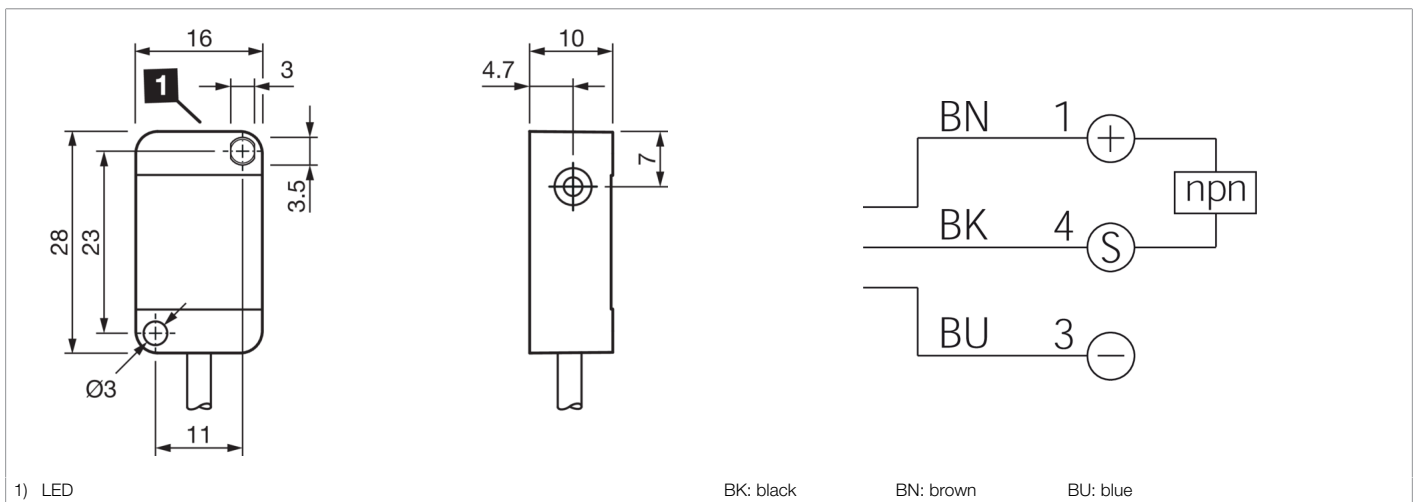




210193
DCR 30 K 02 NOLK
Inductive proximity sensor

- Highly flexible cable
- Integrated amplifier
- Short-circuit protection
- Starting pulse suppression
- LED



Function											

Technical data (typ.)	+20°C, 24 V DC
Service voltage	10 ... 35 V DC
Internal power consumption	< 10 mA
Insulation voltage endurance	500 V
Installation type	Flush
Housing dimensions	28 x 10 mm
Housing length	16 mm
Housing height	28 mm
Housing width	10 mm
Housing material	Plastic
Material of cable	Polyurethane
Protection class	III, operation on protective low voltage
Operating principle	inductive
Evaluation	digital
Design	Cuboid design
Product series	INE Extended
Switching output	npn, 200 mA, NC
Voltage drop (max.)	2.4 V
Switching distance (SN)	2 mm
Standardized measuring plate	12 x 12 x 1 mm
Switching hysteresis (max.)	< 15 %
LED Anzeige	Yes



210193
DCR 30 K 02 NOLK
Inductive proximity sensor

Technical data (typ.)	+20°C, 24 V DC
Switching frequency	1000 Hz
Ambient temperature during operation	-25 ... +70 °C
Protection type	IP 67
Connection	Cable, 2.0 m (flying leads)
More information / accessories	https://www.di-soric.com/210193