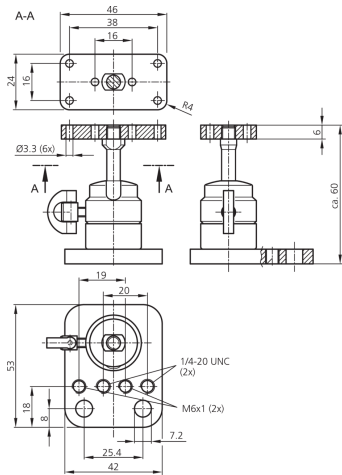
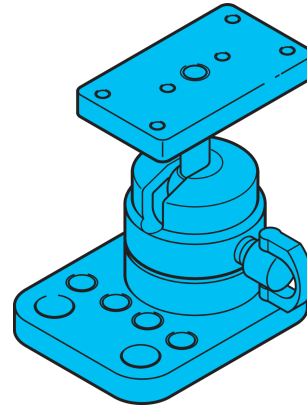


210179
SH-KK-CS
Ball head holder

- Universal mounting options
- Stepless adjustment
- Quick and easy mounting
- Central ball joint locking



Technical data (typ.)

Housing material

Component

To be used for

+20°C

Metal

Ball head holder

CS 60 Vision Sensors

More information / accessories

<https://www.di-soric.com/210179>