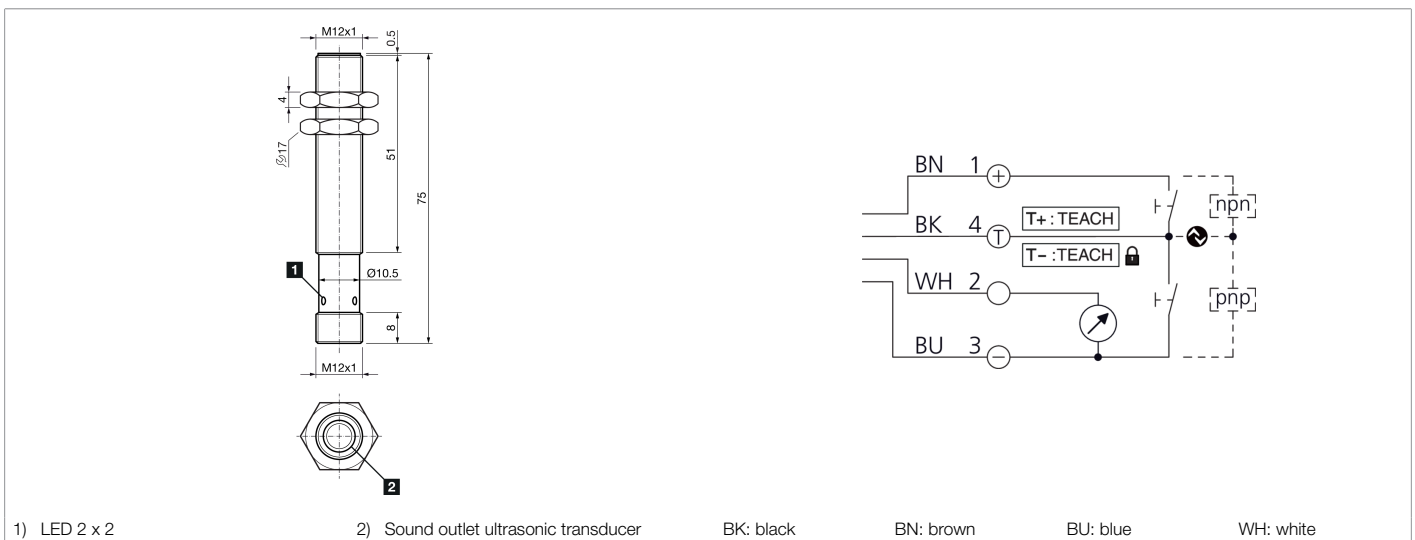




210063
US 12 M 400 IU-B4
Ultrasonic sensor

- IO-Link
- Configurable as an ultrasonic sensor or barrier
- Working range adjustable
- Analog current output
- Resistant to dirt
- Insensitive to ambient noise
- Measuring does not depend on surface
- High frequency of measuring sequence
- High resolution



Function										

Technical data (typ.)	+20°C, 24 V DC
Service voltage	18 ... 30 V DC
No-load current (max.)	40 mA (24 V DC)
Insulation voltage endurance	500 V
Thread	M12 x 1
Transmission exit	axial
Housing material	Brass (CuZn, nickel-plated)
Material	Epoxy resin, PUR (Transducer surface)
Protection class	III, operation on protective low voltage
Approvals	UL
Operating principle	Ultrasonic sensor, Ultrasonic barrier
Evaluation	digital, analog (With IO-Link)
Design	Thread
Characteristics	IO-Link
Scope of delivery	Sensor, 2 x M12 nuts
Switching output	Push-pull, 150 mA
Voltage drop (max.)	2.5 V
Analog output	0 ... 10 V, 4 ... 20 mA
Interface	IO-Link (V1.1, COM2 38.4 kBd, Smart Sensor Profile)
Load resistance	> 10 kΩ (0 ... 10 V) / < 400 Ω (4 ... 20 mA)
Nominal switching distance (Sn)	400 mm



210063
US 12 M 400 IU-B4
Ultrasonic sensor

Technical data (typ.)	+20°C, 24 V DC
Range	40 ... 400 mm
Adjustment range	40 ... 400 mm (Teach in)
Resolution	1.0 mm
Standardized measuring plate	100 x 100 mm
Switching hysteresis (max.)	2 ... 20 mm (Adjustable by IO-Link)
Sensitivity adjustment	Remote teach
Display	LED Green - Operation, yellow - Switching output
Ultrasonic frequency	300 kHz
Switching frequency	10 Hz
Readiness delay (max.)	300 ms
Shock/vibration load	30 g, 10 ... 55 Hz / 0.5 mm
Ambient temperature during operation	-25 ... +70 °C
Temperature drift	0.2 %/K (uncompensated)
Protection type	IP 67
Connection	Connector, M12, 4-pin
Connection cable	VKHM ... /4
More information / accessories	https://www.di-soric.com/210063