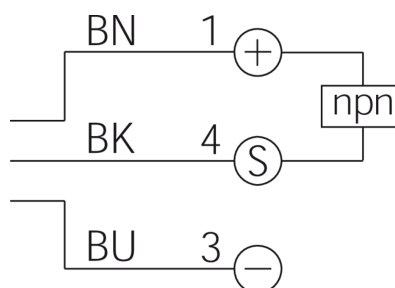
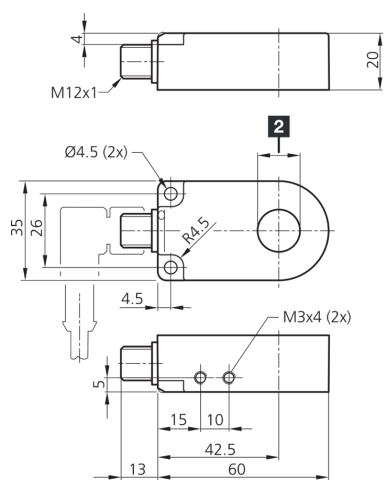




209916
IRB 15 NS-B3
Inductive ring sensor

- Quick commissioning, no setting elements
- No risk of incorrect adjustments
- High protection type IP 67
- Short response time
- Resistant to dirt
- Static operating principle
- Metal connector



1) LED


2) Ring diameter

BK: black

BN: brown

BU: blue

Function

							   
--	--	--	--	--	--	--	---

Technical data (typ.)

+20°C, 24 V DC

Service voltage	10 ... 35 V DC (Supply Class 2)
No-load current (max.)	11 mA
Insulation voltage endurance	1000 V
Internal diameter	15.1 mm
Housing material	Plastic (PA)
Material	POM (Ring)
Protection class	III, operation on protective low voltage
Approvals	UL
Operating principle	inductive
Evaluation	Static
Switching output	npn, 200 mA, NO
Voltage drop (max.)	2 V
Pulse stretching	150 ms
Resolution	Ø 2.5 mm
Sensitivity adjustment	no setting elements
Speed of parts (max.)	35 m/s
Readiness delay (max.)	300 ms
Shock/vibration load	30 g, 11 ms / 10 ... 55 Hz, 1.0 mm
Ambient temperature during operation	-25 ... +70 °C
Protection type	IP 67



209916

IRB 15 NS-B3

Inductive ring sensor

Technical data (typ.)

+20°C, 24 V DC

Connection

Connector, M12, 4-pin, A-coded

Connection cable

VK ...

More information / accessories

<https://www.di-soric.com/209916>