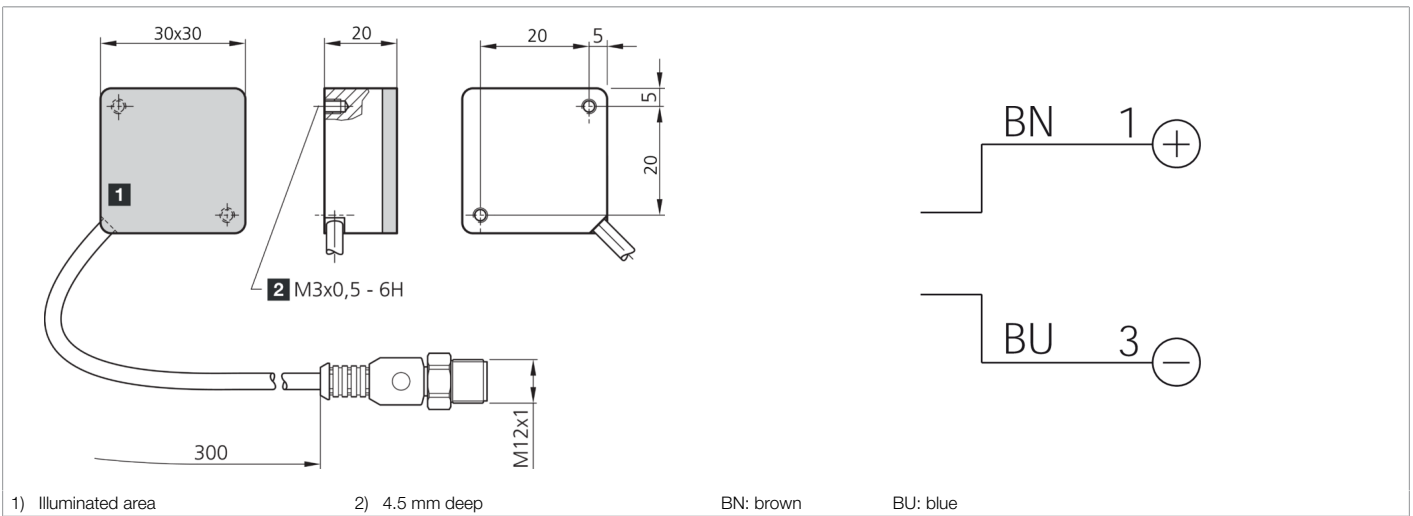




209741
BE-A30/30-G1-K-BS
Barlight

- High light intensity
- A minimal edge region
- Homogeneous luminous field
- Very compact design
- High protection type IP 67
- Robust design



Function										

Technical data (typ.)	+20°C, 24 V DC
Service voltage	24 V DC (Supply Class 2)
Internal power consumption	50 mA (24 V DC)
Power	1.2 W (24 V DC)
Inverse polarity protection	no
Illuminated area	30 x 30 mm
Housing dimensions	30 x 30 x 20 mm
Housing material	Aluminum (Black, Anodized)
Material	PMMA, clear (Protection optics)
Weight	45 g
Protection class	III, operation on protective low voltage
Risk group (DIN EN 62471)	Free group
Approvals	UL
Design	Barlight
Light source	LED
Color	red
Wavelength	625 nm
Deflection angle FWHM	120°
Light intensity	<ul style="list-style-type: none"> ■ 1.30 kLx (100.0 mm) ■ 380 Lux (200.0 mm) ■ 180 Lux (300.0 mm)
Control	without power control



209741

BE-A30/30-G1-K-BS

Barlight

Technical data (typ.)	+20°C, 24 V DC
Shock/vibration load	30 g, 11 ms / 10 ... 55 Hz, 1.0 mm
Ambient temperature during operation	0 ... +40 °C (Continuous operation)
Protection type	IP 67
Connection	Pigtail, 0.3 m, M12, 3-pin
Connection cable	VK ...
More information / accessories	https://www.di-soric.com/209741