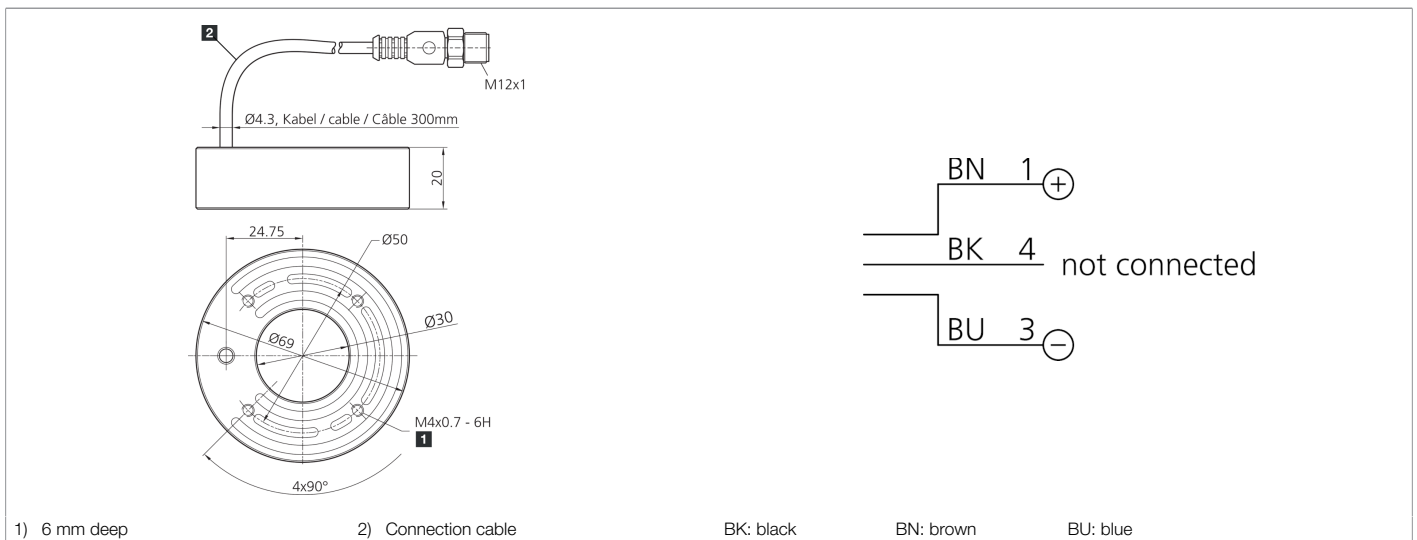




209556
BE-R30-G5-K-BS-POL
Ringlight

- High light intensity thanks to state-of-the-art high power LEDs
- Very compact design
- Long life thanks to intelligent thermal management
- Homogeneous illumination
- Protection class IP 67
- Robust metal housing



Function											

Technical data (typ.)	+20°C, 24 V DC
Service voltage	24 V DC (Supply Class 2)
Power	4.6 W (24 V DC)
Insulation voltage endurance	500 V
Diameter	Ø 30 / Ø 69 mm (Diameter)
Height	20 mm
Housing material	Aluminum (Black, Anodized)
Material	<ul style="list-style-type: none"> ■ Polyurethane (Cable) ■ PMMA, polarized (Protection optics)
Protection class	III, operation on protective low voltage
Risk group (DIN EN 62471)	Free group
Approvals	UL
Design	Ringlight
Characteristics	State-of-the-art high power LEDs
Light source	LED
Color	White (polarized)
Wavelength	6000 K
Deflection angle FWHM	80°
Light intensity	<ul style="list-style-type: none"> ■ 8.00 kLx (100.0 mm) ■ 2.60 kLx (200.0 mm) ■ 1.20 kLx (300.0 mm)
Shock/vibration load	30 g, 11 ms / 10 ... 55 Hz, 1.0 mm



209556

BE-R30-G5-K-BS-POL

Ringlight

Technical data (typ.)

+20°C, 24 V DC

Ambient temperature during operation

0 ... +40 °C

Protection type

IP 67

Connection

Pigtail, 0.3 m, M12, 3-pin

Connection cable

VK ...

More information / accessories

<https://www.di-soric.com/209556>