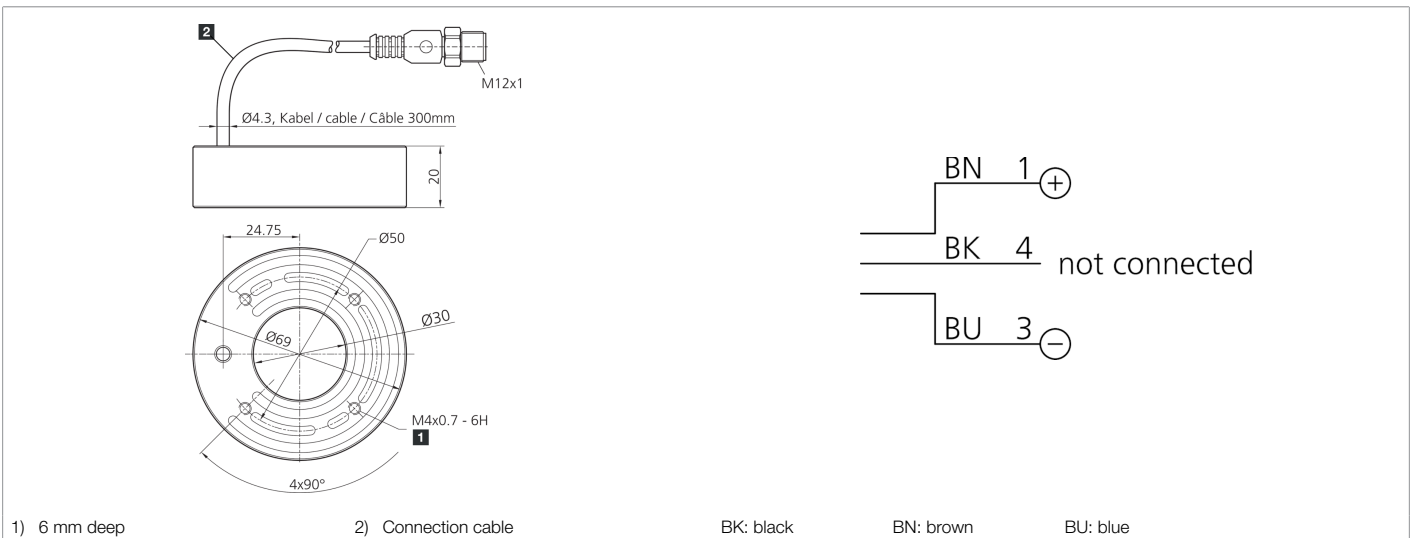




209554
BE-R30-G5-K-BS-CLR
Ringlight

- High light intensity thanks to state-of-the-art high power LEDs
- Very compact design
- Long life thanks to intelligent thermal management
- Homogeneous illumination
- Protection class IP 67
- Robust metal housing



| Function | | | | | | | | | | |
|----------|--|--|--|--|--|--|--|--|--|--|
| | | | | | | | | | | |

| Technical data (typ.) | +20°C, 24 V DC |
|------------------------------|---|
| Service voltage | 24 V DC (Supply Class 2) |
| Power | 4.6 W (24 V DC) |
| Insulation voltage endurance | 500 V |
| Diameter | Ø 30 / Ø 69 mm (Diameter) |
| Height | 20 mm |
| Housing material | Aluminum (Black, Anodized) |
| Material | <ul style="list-style-type: none"> ■ Polyurethane (Cable) ■ PMMA, clear (Protection optics) |
| Protection class | III, operation on protective low voltage |
| Risk group (DIN EN 62471) | Risk group 1 |
| Approvals | UL |
| Design | Ringlight |
| Characteristics | State-of-the-art high power LEDs |
| Light source | LED |
| Color | White (clear) |
| Wavelength | 6000 K |
| Deflection angle FWHM | 80° |
| Light intensity | <ul style="list-style-type: none"> ■ 15.6 kLx (100.0 mm) ■ 4.90 kLx (200.0 mm) ■ 2.30 kLx (300.0 mm) |

**209554****BE-R30-G5-K-BS-CLR****Ringlight**

| | |
|---------------------------------------|--|
| Technical data (typ.) | +20°C, 24 V DC |
| Shock/vibration load | 30 g, 11 ms / 10 ... 55 Hz, 1.0 mm |
| Ambient temperature during operation | 0 ... +40 °C |
| Protection type | IP 67 |
| Connection | Pigtail, 0.3 m, M12, 3-pin |
| Connection cable | VK ... |
| More information / accessories | https://www.di-soric.com/209554 |