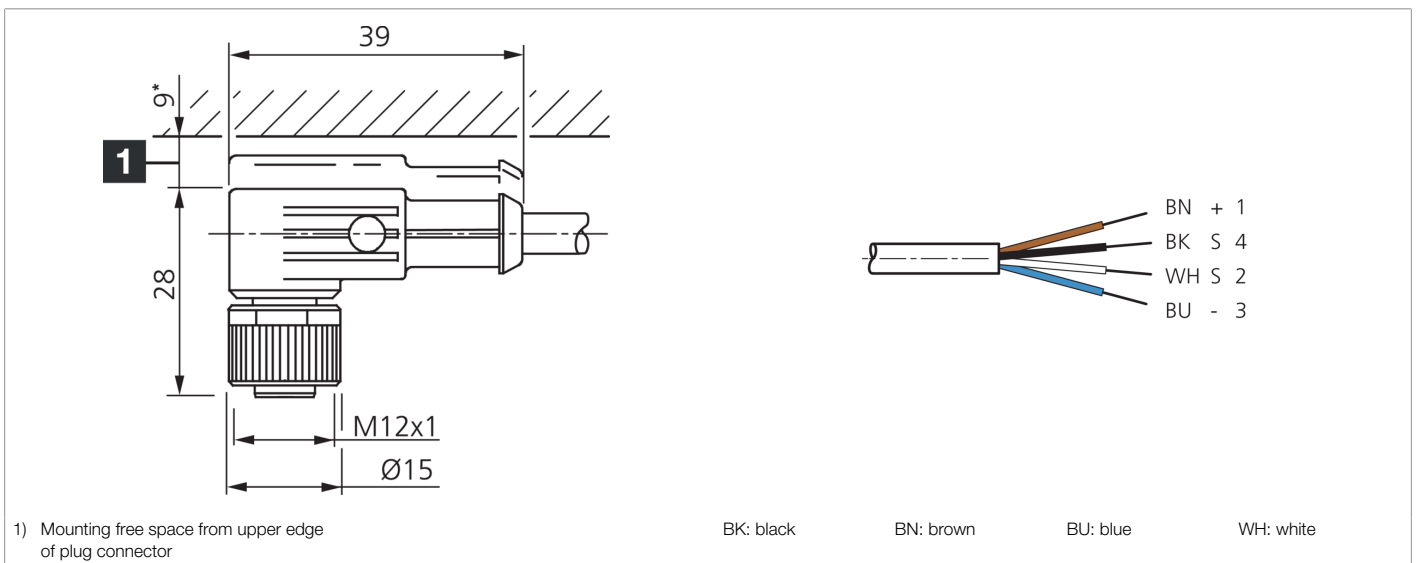



209547
VKHM-W-15/4/LP
Connection cable



| Function | | | | | | | | | | | |
|----------|--|--|--|--|--|--|--|--|--|--|-------------------------------------------------------------------------------------------------------------------------------------------------------------------------------------------------------------------------------------------------------------------|
| | | | | | | | | | | |    |

| Technical data (typ.) | +20°C, 24 V DC |
|--------------------------------------|------------------------------------------|
| Service voltage | < 31 V DC |
| Length | 15,000 mm |
| Diameter | Ø 5.0 mm (Diameter) |
| Thread | M12 |
| Material of cable | PVC |
| Material | PVC (Connector) |
| Protection class | III, operation on protective low voltage |
| Design | Angled / open cable end |
| Characteristics | Metal nut |
| LED Anzeige | Yes |
| Ambient temperature during operation | -5 ... +80 °C (Movable, Fixed) |
| Protection type | IP 67 (at tightening torque 0.6 Nm) |
| Connection | Socket, M12, 4-pin |
| Connection 2 | 0.34 mm ² (4 x) |

More information / accessories <https://www.di-soric.com/209547>