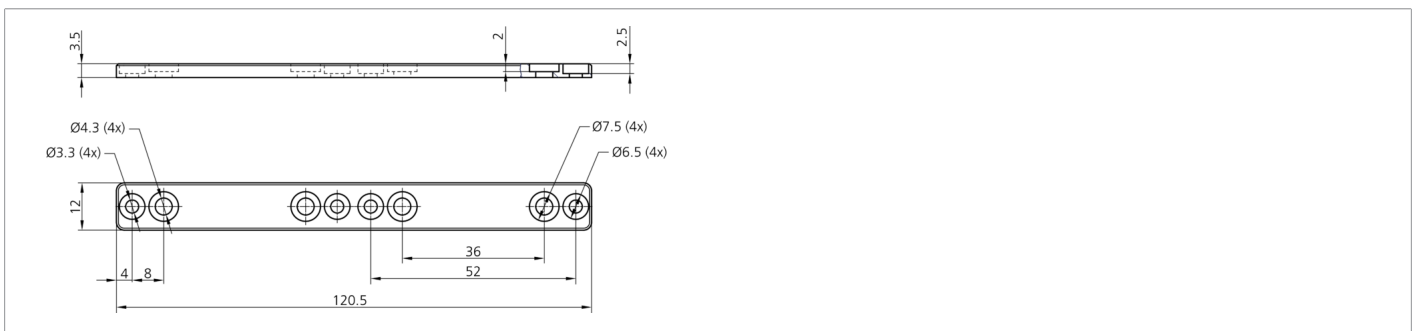
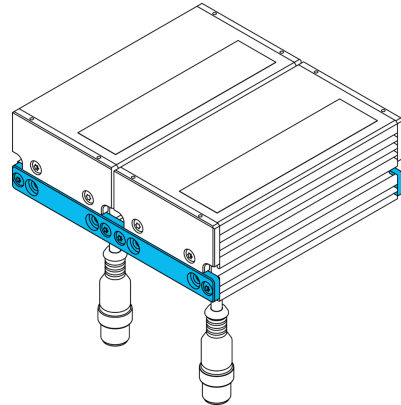




208187
BEK-A-MOUNTINGSET
Mounting set

- Crossbar for cascading two barlights



Technical data (typ.)

Housing dimensions	12 x 120.5 x 3.5 mm
Housing material	Aluminum (Black, Anodized)
Component	Mounting set
Characteristics	Set consists of two crossbars including mounting accessories
To be used for	Barlights BE-A100..., Barlights BE-A300...
Scope of delivery	Set consists of two pieces

More information / accessories

<https://www.di-soric.com/208187>