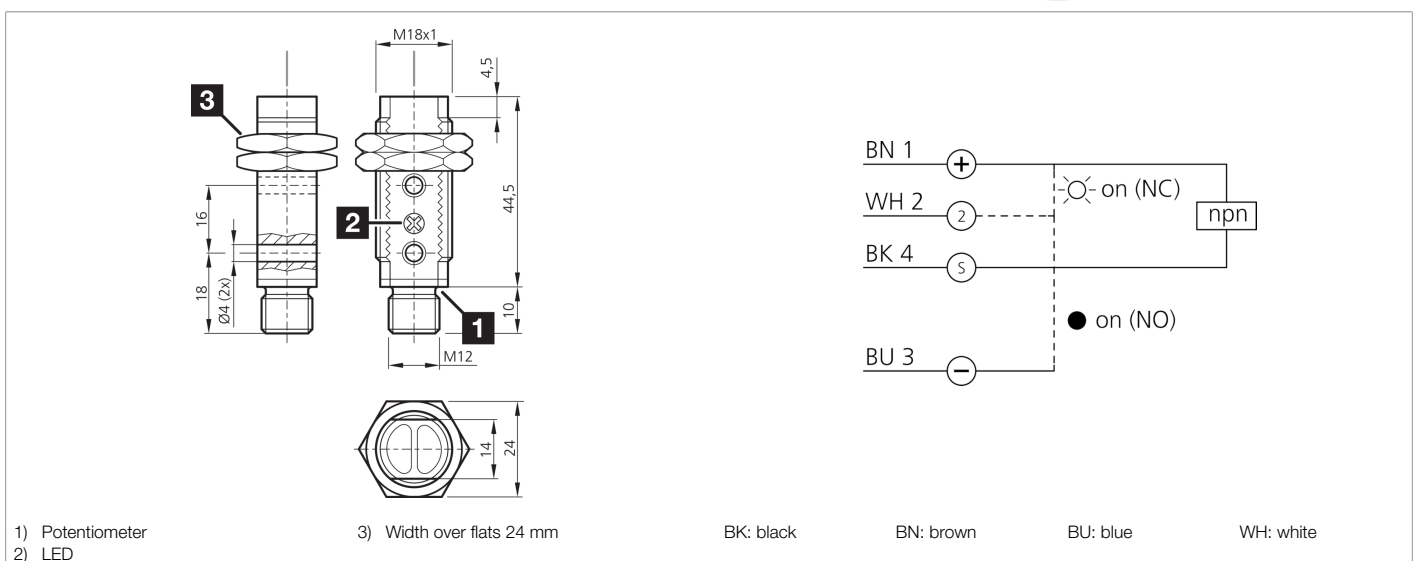




**207961**  
**OR 18-1 FK 5700 N3-B4**  
**Retroreflective sensor**

- Universal mounting options
- Low installation depth
- Sensitivity is adjustable
- LED switching status display
- Plastic housing



Function										

Technical data (typ.)	+20°C, 24 V DC
Service voltage	10 ... 30 V DC
No-load current (max.)	30 mA
Thread	M18 x 1
Housing length	54.5 mm
Housing material	Plastic (ABS)
Material	PMMA (Window)
Protection class	III, operation on protective low voltage
Operating principle	Retroreflective sensor
Evaluation	digital
Design	Thread
Switching output	npn, 100 mA, NO/NC
Voltage drop (max.)	2 V
Light source	LED
Color	Red
Wavelength	660 nm
Modulation	Clocked
Ambient light immunity	3 kLx Clocked light, 10 kLx Sunlight
Range	5000 mm

**207961****OR 18-1 FK 5700 N3-B4****Retroreflective sensor****Technical data (typ.)****+20°C, 24 V DC**

Range during operation with

- 2000 mm (R55)
- 4500 mm (R 84)
- 5000 mm (R 100x100)

Referring reflector

R55 (included)

Sensitivity adjustment

Potentiometer

Switching frequency

1000 Hz

Response time

0.50 ms

Release time

0.50 ms

Ambient temperature during operation

-25 ... +55 °C

Protection type

IP 67

Connection

Connector, M12, 4-pin

**More information / accessories**<https://www.di-soric.com/207961>