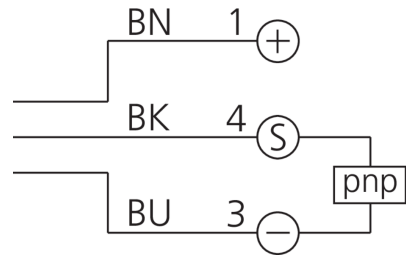
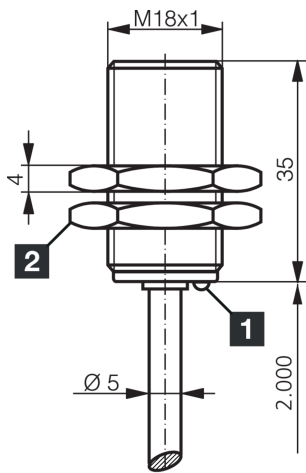
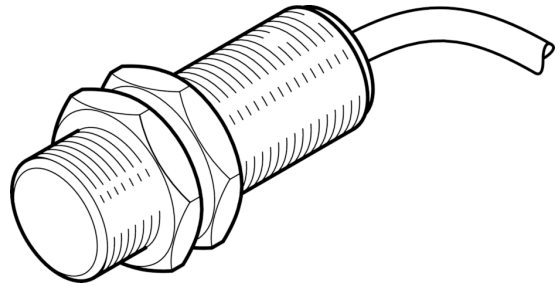




207733
D7CK 18 V 10 PSLK
Inductive proximity sensor



1) LED

2) Width over flats 24 mm

BK: black

BN: brown

BU: blue

Function



Technical data (typ.)

+20°C, 24 V DC

Service voltage	10 ... 30 V DC
Internal power consumption	< 10 mA
Insulation voltage endurance	According to IEC 60947-5-2 (7.2.3.1)
Installation type	Flush
Thread	M18 x 1
Housing length	35 mm
Housing material	Stainless steel
Material of cable	Polyurethane
Tightening torque	50 Nm
Protection class	III, operation on protective low voltage
Operating principle	inductive
Evaluation	digital
Design	Thread
Product series	INW-300 Full metal extended
Voltage drop (max.)	2 V
Switching distance (SN)	10 mm
Standardized measuring plate	30 x 30 x 1 mm
Switching hysteresis (max.)	15 %
Switching frequency	200 Hz
Ambient temperature during operation	-25 ... +85 °C



207733
D7CK 18 V 10 PSLK
Inductive proximity sensor

Technical data (typ.)

+20°C, 24 V DC

Protection type

IP 68 / IP 69K

Connection

Cable, 2.0 m (flying leads)

More information / accessories

<https://www.di-soric.com/207733>