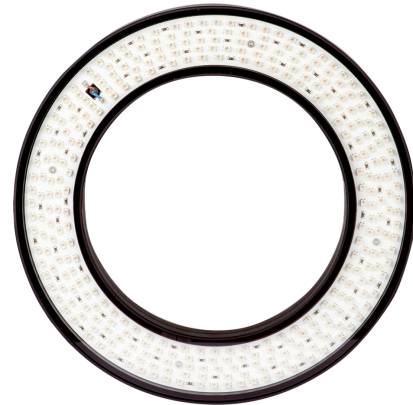
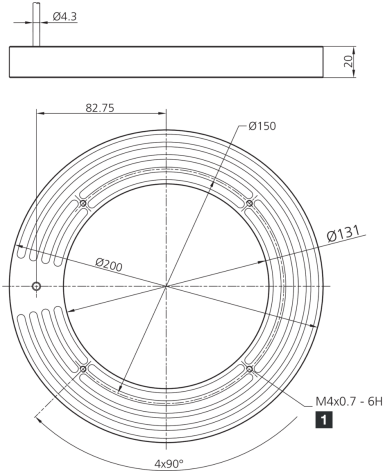




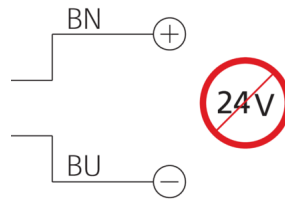
207151
BE-R130-F1-K-CLR
Ringlight

- High excess current factor
- Pulsed mode for inspection of fast moving objects
- Extremely powerful light for high depth of field
- Long life thanks to intelligent thermal management
- Homogeneous luminous field
- High protection type IP 67
- Robust metal housing









1) 6 mm deep



Betrieb ausschließlich mit Flash-Controller an einem *Supply Class 2* - Netzteil!
Use only with flash equipment driven by a power supply *Class 2*!
A utiliser exclusivement avec un contrôleur d'impulsion connecté à une alimentation *Class 2*!

Function										
										   

Technical data (typ.)	+20°C, 24 V DC
Power consumption (in pulse / max.)	230 W
Energization factor (in pulse / max.)	8
Energization (in pulse / max.)	12000 mA
Service voltage	No constant voltage!
Inverse polarity protection	Yes
Insulation voltage endurance	500 V
Diameter	Ø 131 / Ø 200 mm (Diameter)
Height	20 mm
Housing material	Aluminum (Black, Anodized)
Material	<ul style="list-style-type: none"> ■ Polyurethane (Cable) ■ PMMA, clear (Protection optics)
Risk group (DIN EN 62471)	Free group
Approvals	UL
Design	Ringlight
Light source	LED
Color	Red (clear)
Wavelength	633 nm
Deflection angle FWHM	30°



207151
BE-R130-F1-K-CLR
Ringlight

Technical data (typ.)**+20°C, 24 V DC**

Light intensity

- 4.40 kLx (300.0 mm / 100 %)
- 17.6 kLx (300.0 mm / 400 %)
- 33.2 kLx (300.0 mm / 800 %)
- 3.00 kLx (500.0 mm / 100 %)
- 11.6 kLx (500.0 mm / 400 %)
- 22.1 kLx (500.0 mm / 800 %)

Control

Flashable by means of flash controller

Shock/vibration load

30 g, 11 ms / 10 ... 55 Hz, 1.0 mm

Ambient temperature during operation

0 ... +40 °C

Protection type

IP 67

Connection

Cable, 2.5 m (flying leads, Use only with flash controller!)

More information / accessories<https://www.di-soric.com/207151>