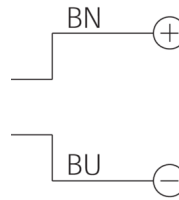
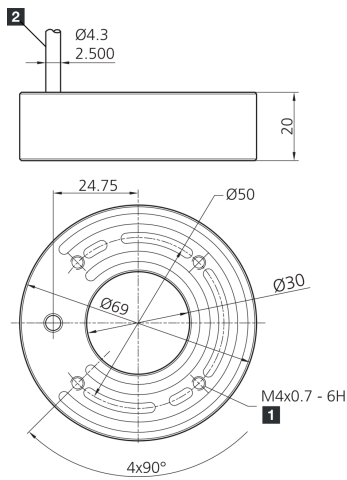




**207143**  
**BE-R30-F5-K-DIF**  
**Ringlight**

- High excess current factor
- Pulsed mode for inspection of fast moving objects
- Extremely powerful light for high depth of field
- Long life thanks to intelligent thermal management
- Homogeneous luminous field
- High protection type IP 67
- Robust metal housing



Betrieb ausschließlich mit Flash-Controller an einem *Supply Class 2* - Netzteil!  
 Use only with flash equipment driven by a power supply *Class 2*!  
 A utiliser exclusivement avec un contrôleur d'impulsion connecté a une alimentation *Class 2*!

1) 6 mm deep

2) Connection cable

**Function**



**Technical data (typ.)**

**+20°C, 24 V DC**

Power consumption (in pulse / max.)	45.0 W
Energization factor (in pulse / max.)	10
Energization (in pulse / max.)	2000 mA
Service voltage	No constant voltage!
Inverse polarity protection	Yes
Insulation voltage endurance	500 V
Diameter	Ø 30 / Ø 69 mm (Diameter)
Height	20 mm
Housing material	Aluminum (Black, Anodized)
Material	<ul style="list-style-type: none"> <li>■ Polyurethane (Cable)</li> <li>■ PMMA, diffuse (Protection optics)</li> </ul>
Risk group (DIN EN 62471)	Free group
Approvals	UL
Design	Ringlight
Light source	LED
Color	White (diffuse)
Wavelength	6500 K
Deflection angle FWHM	120°



**207143**  
**BE-R30-F5-K-DIF**  
**Ringlight**

Technical data (typ.)	+20°C, 24 V DC
Light intensity	<ul style="list-style-type: none"><li>■ 4.00 kLx (100.0 mm / 100 %)</li><li>■ 15.1 kLx (100.0 mm / 500 %)</li><li>■ 22.4 kLx (100.0 mm / 1000 %)</li><li>■ 1.20 kLx (200.0 mm / 100 %)</li><li>■ 4.40 kLx (200.0 mm / 500 %)</li><li>■ 6.50 kLx (200.0 mm / 1000 %)</li></ul>
Control	Flashable by means of flash controller
Shock/vibration load	30 g, 11 ms / 10 ... 55 Hz, 1.0 mm
Ambient temperature during operation	0 ... +40 °C
Protection type	IP 67
Connection	Cable, 2.5 m (flying leads, Use only with flash controller!)
<b>More information / accessories</b>	<b><a href="https://www.di-soric.com/207143">https://www.di-soric.com/207143</a></b>