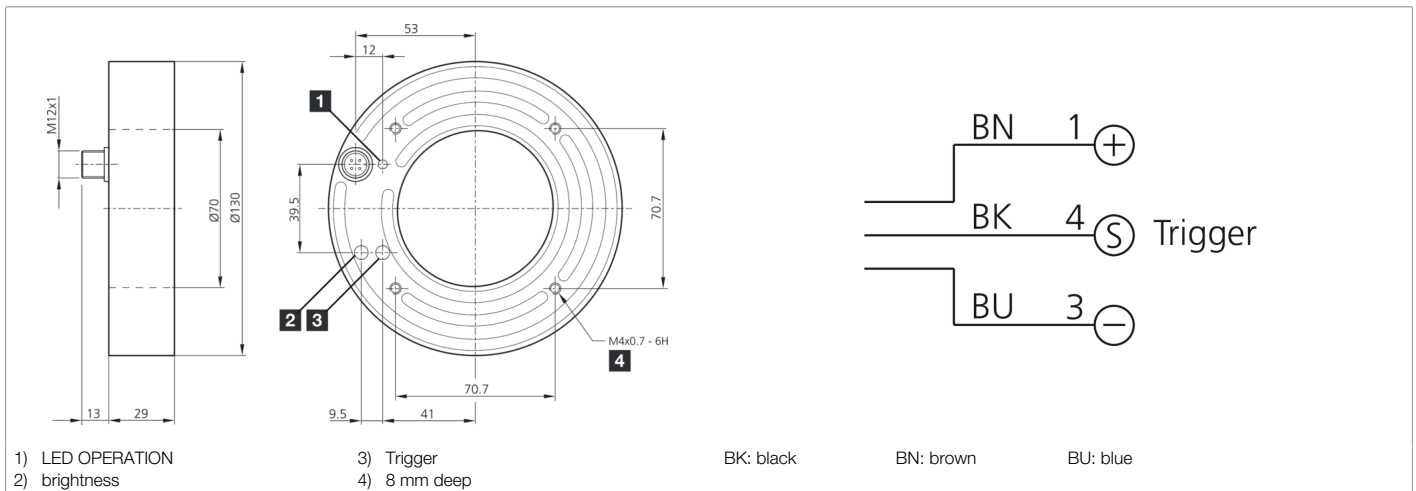




206385
BEK-R70/30-G1TI-IBS-POL
Ringlight

- Constant level of light intensity over the entire voltage range
- Internal control of power output
- Homogeneous illumination
- High protection type IP 67
- External trigger input
- High efficiency
- Light intensity can be adjusted
- Low levels of heat produced
- Sturdy housing design
- Metal casing



Function										

Technical data (typ.)	+20°C, 24 V DC
Service voltage	18 ... 35 V DC (Supply Class 2)
No-load current (max.)	470 mA (24 V DC)
Power	11.5 W (24 V DC)
Inverse polarity protection	Yes
Insulation voltage endurance	500 V
Diameter	Ø 70 / Ø 130 mm (Diameter)
Housing material	Aluminum (Anodized)
Material	PMMA, polarized (Protection optics)
Protection class	III, operation on protective low voltage
Risk group (DIN EN 62471)	Free group
Approvals	UL
Design	Ringlight
Trigger input high level	3.3 ... 35.0 V
Trigger input low level	< 2.8 V
Light source	LED
Color	Red (polarized)
Wavelength	633 nm
Deflection angle FWHM	30°
Light intensity	<ul style="list-style-type: none"> ■ 4.10 kLx (100.0 mm) ■ 4.00 kLx (200.0 mm) ■ 1.40 kLx (500.0 mm)
Control	Integrated power control

**206385****BEK-R70/30-G1TI-IBS-POL****Ringlight****Technical data (typ.)****+20°C, 24 V DC**

Display

LED Green - Operating display

Shock/vibration load

30 g, 11 ms / 10 ... 55 Hz, 1.0 mm

Ambient temperature during operation

0 ... +40 °C

Protection type

IP 67

Connection

Connector, M12, 3-pin

Connection cable

VK ...

More information / accessories<https://www.di-soric.com/206385>