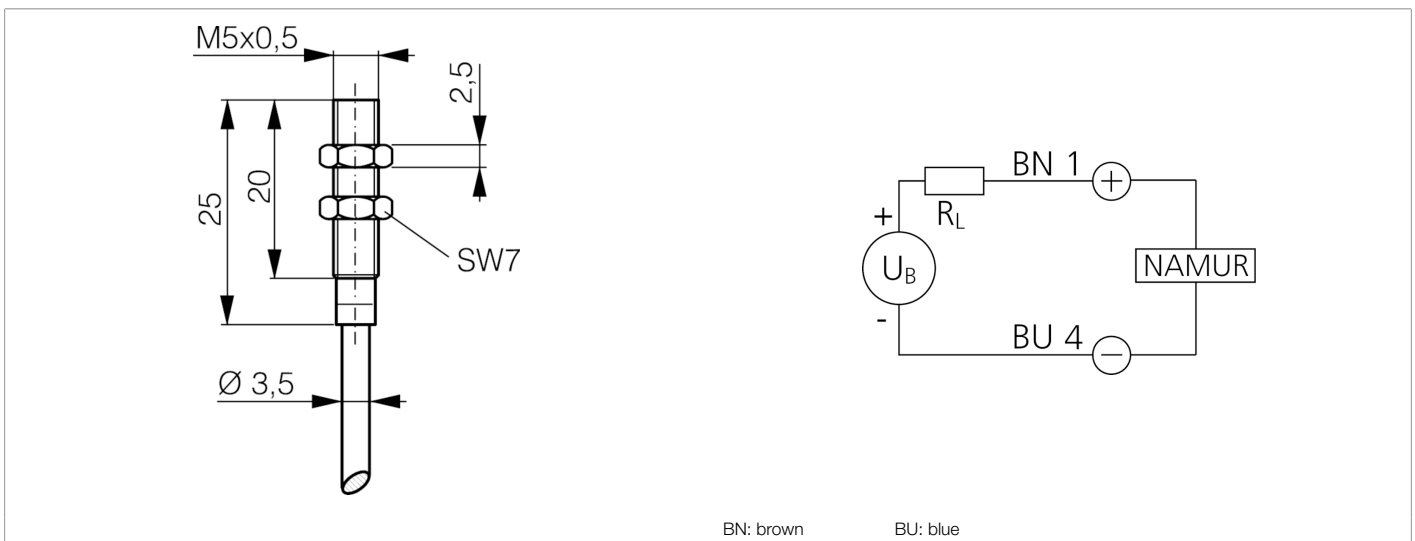
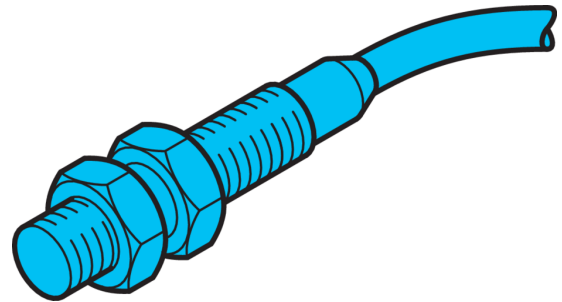




205615
DCC 05 V 0.8 NAMUR
Inductive proximity sensor

- Metal connector
- Integrated amplifier
- Short-circuit protection
- Starting pulse suppression
- LED



Function											

Technical data (typ.)	+20°C, 24 V DC
Service voltage	7.7 ... 9 V DC
Insulation voltage endurance	According to IEC 60947-5-2 (7.2.3.1)
Installation type	Flush
Thread	M5 x 0.5
Housing length	25 mm
Housing material	Stainless steel
Material of cable	PVC
Protection class	III, operation on protective low voltage
Operating principle	inductive
Evaluation	digital
Design	Cylinder
Product series	Namur
Switching output	Namur, < 1 mA
Voltage drop (max.)	2 V
Switching distance (SN)	0.8 mm
Standardized measuring plate	5 x 5 x 1 mm
Switching frequency	10000 Hz
Ambient temperature during operation	-25 ... +70 °C
Protection type	IP 67
Connection	Cable, 2.0 m, 2-pin, A-coded



205615
DCC 05 V 0.8 NAMUR
Inductive proximity sensor

[More information / accessories](#)

<https://www.di-soric.com/205615>