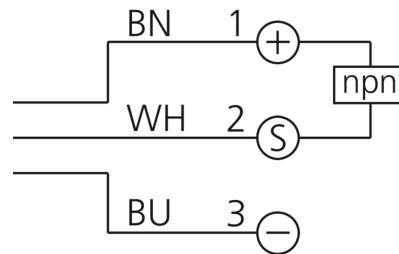
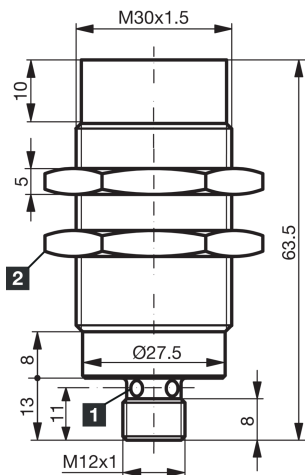
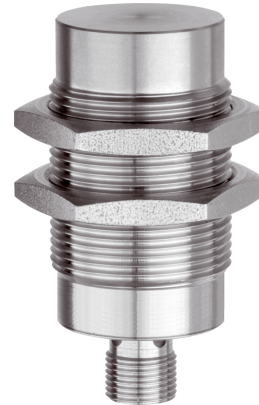




**205369**  
**D7C 30 V 40 NOK-IBSL**  
**Inductive proximity sensor**

- Closed, all-steel sleeve
- 3-times the standard operating distance
- Same operating distance to steel and aluminum
- Housing and sensing face made of stainless steel
- Insensitive to aggressive cleaning agents, environmental influences and hot filings
- Metal connector
- Integrated amplifier
- Short-circuit protection
- Starting pulse suppression
- LED



1) LED 4 x 90° (yellow)

2) Width over flats 36 mm

BN: brown

BU: blue

WH: white

**Function**



**Technical data (typ.)**

**+20°C, 24 V DC**

|                              |   |
|------------------------------|---|
| Service voltage              | 10 ... 30 V DC  |
| Internal power consumption   | < 12 mA   |
| Insulation voltage endurance | According to IEC 60947-5-2 (7.2.3.1)                                  |
| Installation type            | non-flush   |
| Thread                       | M30 x 1.5   |
| Housing length               | 63.5 mm   |
| Housing material             | Stainless steel   |
| Tightening torque            | 150 Nm  |
| Protection class             | III, operation on protective low voltage                              |
| Operating principle          | inductive   |
| Evaluation                   | digital   |
| Design                       | Thread  |
| Characteristics              | extremely high operating distance, < 40 bar, Full-metal casing closed |
| Product series               | INW-300 Full metal extended   |
| Switching output             | npn, 200 mA, NC   |
| Voltage drop (max.)          | 2 V   |
| Switching distance (SN)      | 40 mm   |
| Standardized measuring plate | 120 x 120 x 1 mm  |
| Switching hysteresis (max.)  | 15 %  |
| Switching frequency          | 100 Hz  |



205369

D7C 30 V 40 NOK-IBSL

Inductive proximity sensor

**Technical data (typ.)**

**+20°C, 24 V DC**

Ambient temperature during operation

-25 ... +70 °C

Protection type

IP 68

Connection

Connector, M12, 4-pin, A-coded

Connection cable

VK ...

**More information / accessories**

<https://www.di-soric.com/205369>