

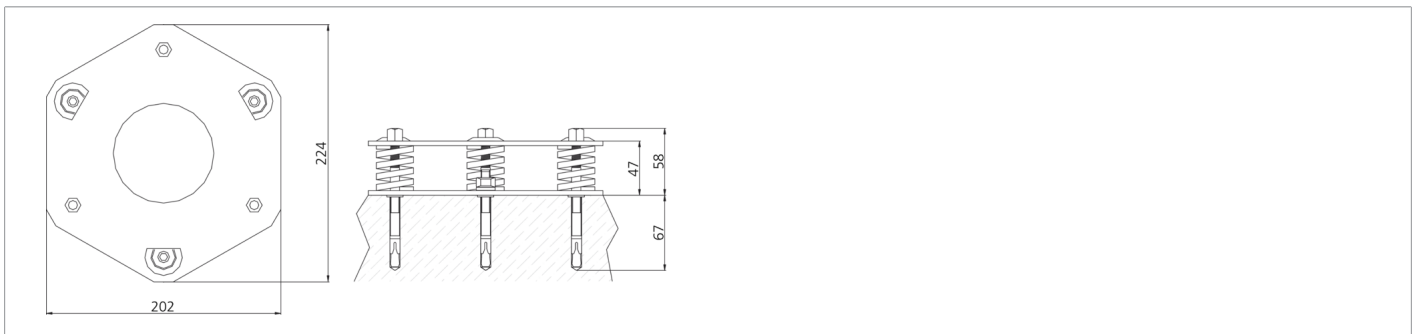
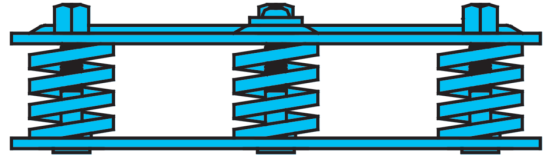


204847

FMC-CB

Bases for mounting columns

- Double plate with steel springs for fine adjustment
- Steel anchor bolts enclosed
- Robust design



Technical data (typ.)

+20°C	
Mounting	3 mounting holes, Ø 10 mm
Housing dimensions	202 x 224 x 58 mm
Housing material	Steel (Black)
Component	Bases for mounting columns
Operating principle	Base for mounting column
To be used for	Mounting columns FMC
Scope of delivery	Double plate base, 3 steel anchor bolts, Fixing material
Adjustment range	10 mm (3 x hexagon nuts)

More information / accessories

<https://www.di-soric.com/204847>