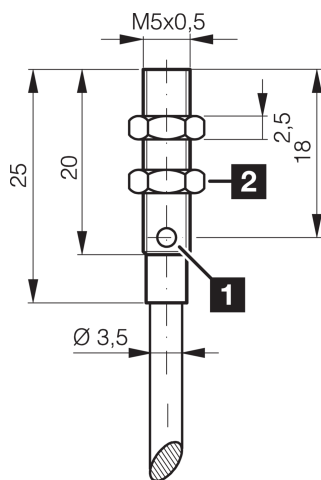




**204293**  
**DCC 05 V 2.5 POLK**  
**Inductive proximity sensor**

- Highly flexible cable
- Integrated amplifier
- Short-circuit protection
- Starting pulse suppression
- LED



1) LED

2) Width over flats 7 mm

BK: black

BN: brown

BU: blue

**Function**



**Technical data (typ.)**

**+20°C, 24 V DC**

Service voltage	10 ... 30 V DC
Internal power consumption	< 10 mA
Insulation voltage endurance	According to IEC 60947-5-2 (7.2.3.1)
Installation type	Flush
Thread	M5 x 0.5
Housing length	25 mm
Housing material	Nickel-silver (chromium-plated)
Material of cable	PVC
Tightening torque	1.5 Nm
Protection class	III, operation on protective low voltage
Operating principle	inductive
Evaluation	digital
Design	Thread
Characteristics	extremely high operating distance
Product series	INM-300 Miniature Extended
Switching output	pnp, 200 mA, NC
Voltage drop (max.)	2 V (200 mA)
Switching distance (SN)	2.5 mm
Standardized measuring plate	7.5 x 7.5 x 1 mm
Switching hysteresis (max.)	3 ... 15 %



**204293**

**DCC 05 V 2.5 POLK**

**Inductive proximity sensor**

**Technical data (typ.)**

**+20°C, 24 V DC**

Switching frequency

800 Hz

Ambient temperature during operation

-25 ... +70 °C

Protection type

IP 67

Connection

Cable, 2.0 m (flying leads)

**More information / accessories**

<https://www.di-soric.com/204293>