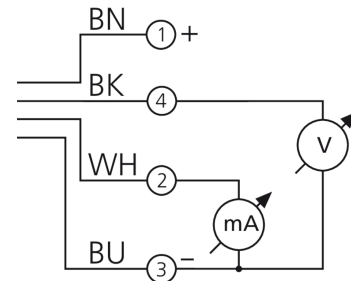
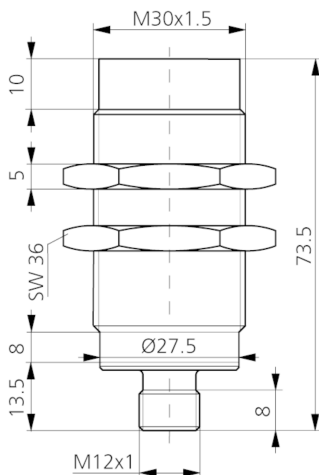
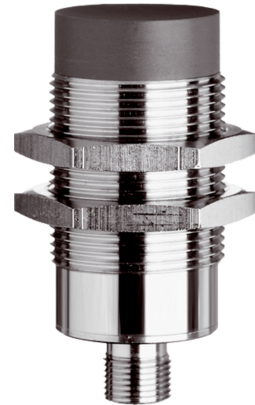




**204249**  
**DCC 30 M 40/10 AIK-IBS**  
**Inductive proximity sensor**

- Analog voltage output
- Analog current output
- Metal connector
- Integrated amplifier
- Starting pulse suppression



1) Width over flats 36 mm

BK: black

BN: brown

BU: blue

WH: white

**Function**



**Technical data (typ.)**

**+20°C, 24 V DC**

Service voltage	15 ... 30 V DC
Internal power consumption	12 mA
Insulation voltage endurance	According to IEC 60947-5-2 (7.2.3.1)
Installation type	non-flush
Thread	M30 x 1.5
Housing length	73.5 mm
Housing material	Brass (nickel-plated)
Tightening torque	70 Nm
Protection class	III, operation on protective low voltage
Operating principle	inductive
Evaluation	analog
Design	Thread
Characteristics	extremely high operating distance
Product series	INA Analog
Voltage drop (max.)	2 V
Analog output	0 ... 10 V, 4 ... 20 mA
Switching distance (SN)	40 mm
Standardized measuring plate	120 x 120 x 1 mm
Switching frequency	100 Hz
Ambient temperature during operation	-25 ... +70 °C



**204249**

**DCC 30 M 40/10 AIK-IBS**

**Inductive proximity sensor**

**Technical data (typ.)**

**+20°C, 24 V DC**

Protection type

IP 67

Connection

Connector, M12, 4-pin, A-coded

Connection cable

VK ...

**More information / accessories**

<https://www.di-soric.com/204249>