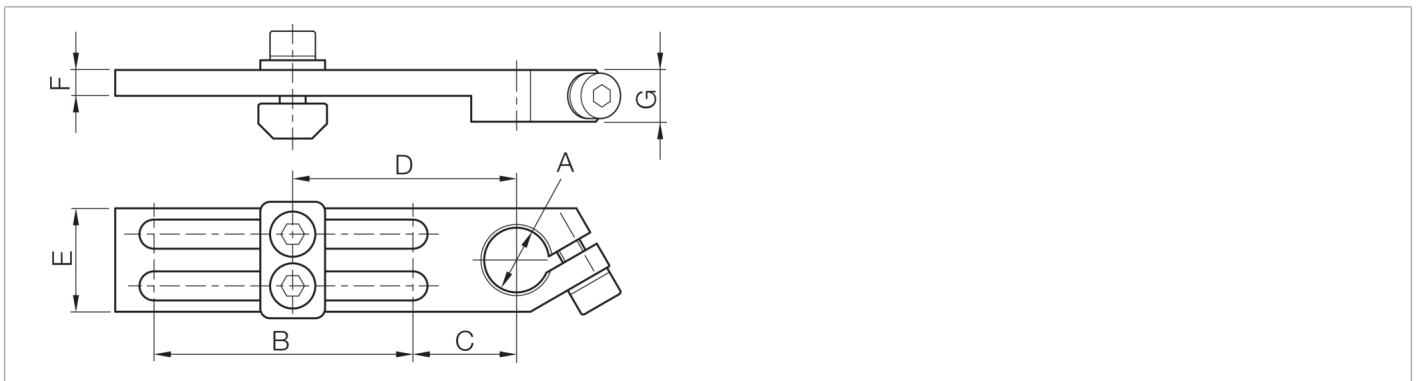
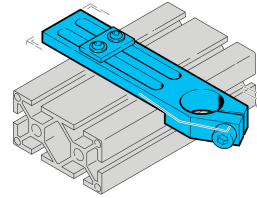




203887
SH-WSL-L-14-40-U
Angle clamp

- Highly flexible versatile mounting system
- Universal mounting
- Stepless adjustment
- Robust design



Technical data (typ.)	+20°C
Diameter	A: 14 mm
Distance dimension	C: 18 mm
Distance dimension	D: 38 mm
Distance dimension	E: 20 mm
Distance dimension	F: 5 mm
Distance dimension	F: 10 mm
Dimension	B: 40 mm
Housing material	Metal
Component	Angle clamp
To be used for	Clamping pin 14 mm
Product series	Z-UBT-KL-MS Assembly system
More information / accessories	https://www.di-soric.com/203887