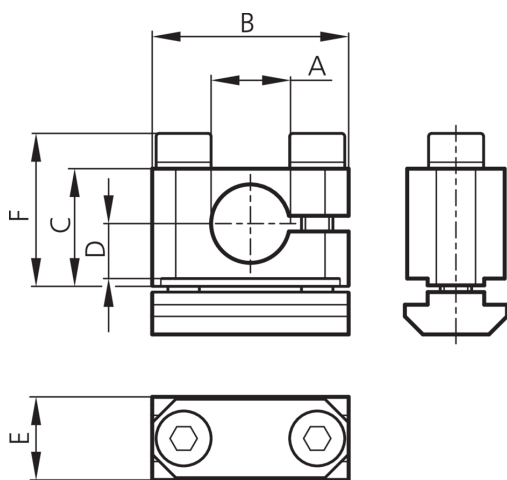
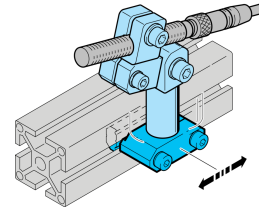




203884
SH-KVB-X-14
Cross connector

- Highly flexible versatile mounting system
- Universal mounting
- Stepless adjustment
- Robust design



Technical data (typ.)

+20°C

Diameter	A: 14 mm
Distance dimension	C: 18 mm
Distance dimension	D: 9 mm
Distance dimension	E: 12 mm
Distance dimension	F: 24.5 mm
Dimension	B: 32 mm
Housing material	Metal
Component	Cross connector
To be used for	Clamping pin 14 mm
Product series	Z-UBT-KL-MS Assembly system

More information / accessories

<https://www.di-soric.com/203884>