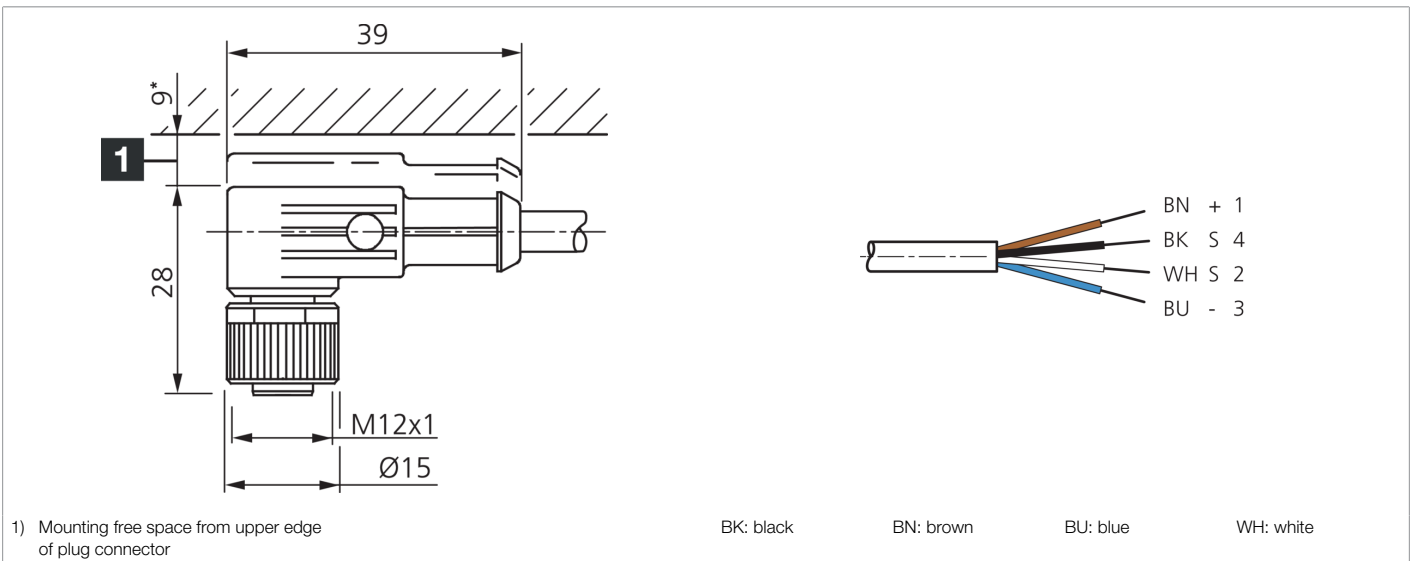




203531
VKPM-W-10/4
Connection cable

- Cable material made of PVC for applications in wet rooms or under water
- Sturdy metal union nut
- Flexible lead design
- Good stripping properties
- Gold-plated plug-in contacts
- High protection type



| Function | | | | | | | | | | | |
|----------|--|--|--|--|--|--|--|--|--|--|--|
| | | | | | | | | | | | |

| Technical data (typ.) | |
|--------------------------------------|--|
| Service voltage | < 250 V AC/DC |
| Length | 10,000 mm |
| Diameter | Ø 5.0 mm (Diameter) |
| Thread | M12 x 1 |
| Material of cable | PVC |
| Protection class | III, operation on protective low voltage |
| Design | Angled / open cable end |
| Characteristics | Metal nut |
| LED Anzeige | No |
| Ambient temperature during operation | -5 ... +80 °C (Movable, Fixed) |
| Protection type | IP 67 |
| Connection | Socket, M12, 4-pin, A-coded |
| Cross-section | 0.34 mm ² (4 x) |

More information / accessories <https://www.di-soric.com/203531>