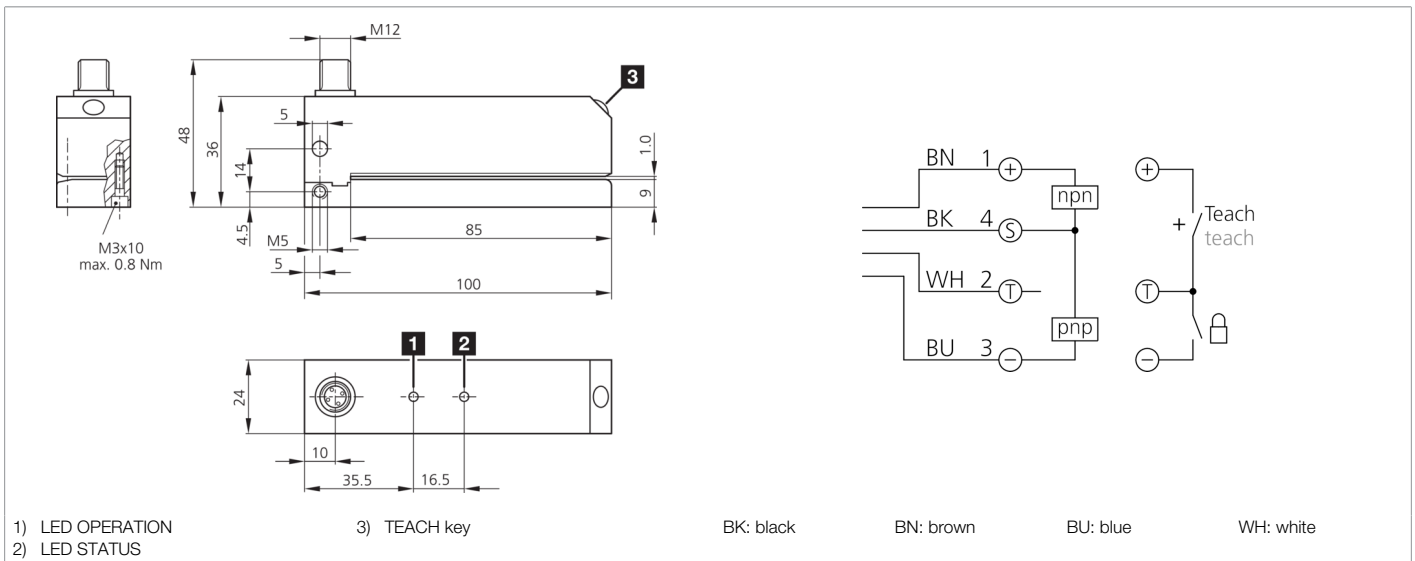




**203425**  
**KSSTI 1000/80 FG3LK-IBS**  
**Capacitive label sensor**

- Detection of transparent and paper labels
- Large slot depth for wide labels
- Sensitivity adjustment via teach key
- Auto-teach during a running process
- Remote teach option with key-lock function
- Temperature and air humidity compensation
- Static functional principle
- Separated housing



Function										

Technical data (typ.)	+20°C, 24 V DC
Service voltage	10 ... 35 V DC
No-load current (max.)	70 mA
Insulation voltage endurance	500 V
Leg length internal	85 mm
Housing dimensions	24 x 36 x 100 mm
Housing length	100 mm
Housing height	36 mm
Housing width	24 mm
Housing material	Aluminum (Black, Anodized)
Protection class	III, operation on protective low voltage
Operating principle	Capacitive
Design	Fork
Product series	KSSTI Capacitive
Switching output	Push-pull, 200 mA, NO/NC, switchable
Voltage drop (max.)	2.5 V
Fork opening	1 mm
Switching hysteresis (max.)	material-dependent
Label length	> 2 mm
Label interspace	> 2 mm
Label thickness	< 0.9 mm



203425

KSSTI 1000/80 FG3LK-IBS

Capacitive label sensor

**Technical data (typ.)**

**+20°C, 24 V DC**

Sensitivity adjustment

Teach button, Remote teach

Ambient temperature during operation

0 ... +60 °C

Protection type

IP 65

Connection

Connector, M12, 4-pin

Connection cable

VK ...

**More information / accessories**

<https://www.di-soric.com/203425>