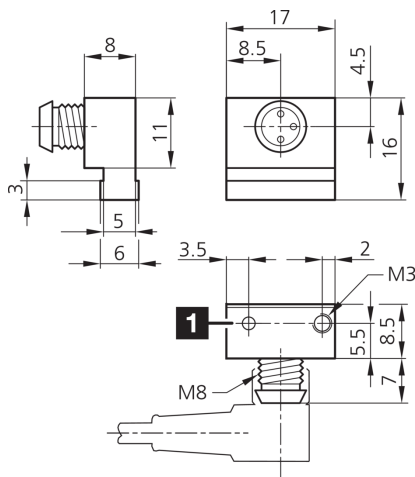




**202987**  
**MZERT 17 PSK-TSSL**  
**Cylinder sensor**

- For pneumatic cylinders with T-groove
- Metal casing
- Plug connector M8
- Fully electronic
- High reproducibility
- High protection type



1) LED

BK: black

BN: brown

BU: blue

**Function**



**Technical data (typ.)**

**+20°C, 24 V DC**

Current-carrying capacity	200 mA, short-circuit-proof, polarity-safe
Service voltage	10 ... 30 V DC
No-load current (max.)	10 mA
Insulation voltage endurance	500 V
Cylinder groove	T-groove, insertion in lateral direction of groove
Mounting	Locking screw (Allen screw SW 1.5 mm)
Housing material	Die-cast zinc
Protection class	III, operation on protective low voltage
Switching output	pnp, 200 mA, NO
Voltage drop (max.)	2 V
Reproducibility	< 0.1 mm
Display	LED yellow - Output signal
Switching frequency	1000 Hz
Ambient temperature during operation	-25 ... +70 °C
Protection type	IP 67
Connection	Connector, M8, 3-pin
Connection cable	TK ...

**More information / accessories**

<https://www.di-soric.com/202987>