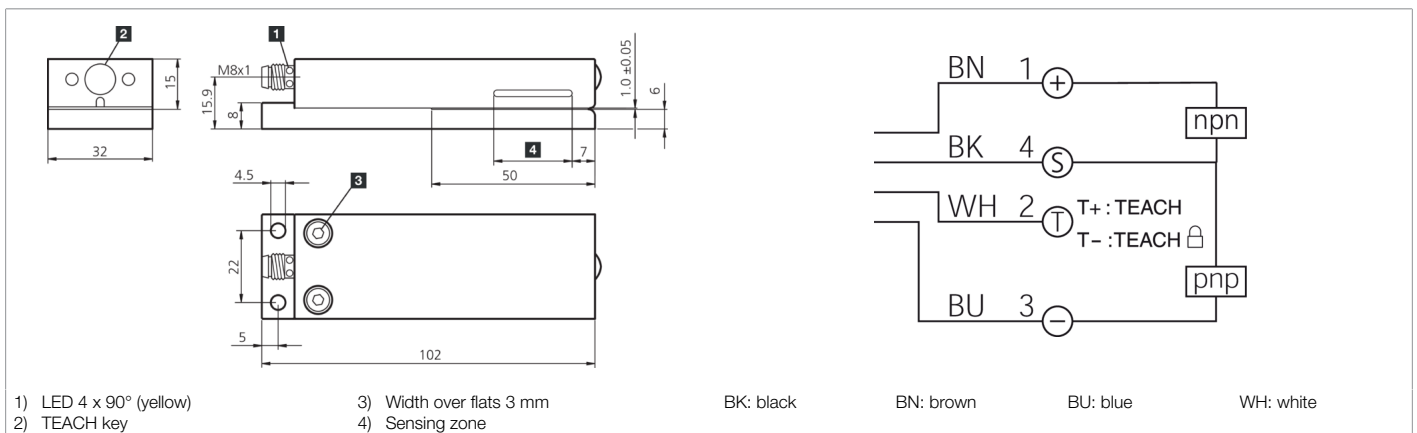




202981
KSSTI 1000 FG3K-TSSL
Capacitive label sensor

- Detection of transparent labels, double layers, glue points, cracks, etc.
- Sensitivity adjustment via teach key
- Auto-teach during a running process
- Remote teach option with key-lock function
- Temperature and air humidity compensation
- Static functional principle
- Separated housing



Function												

Technical data (typ.)	+20°C, 24 V DC
Service voltage	10 ... 35 V DC
No-load current (max.)	70 mA
Insulation voltage endurance	500 V
Leg length internal	50 mm
Housing dimensions	32 x 15 x 102 mm
Housing length	102 mm
Housing height	15 mm
Housing width	32 mm
Housing material	Aluminum (Black, Anodized)
Protection class	III, operation on protective low voltage
Operating principle	Capacitive
Design	Fork
Product series	KSSTI Capacitive
Switching output	Push-pull, 200 mA, NO/NC, switchable
Voltage drop (max.)	2.5 V
Fork opening	1 mm
Switching hysteresis (max.)	material-dependent
Label length	> 2 mm
Label interspace	> 2 mm
Label thickness	< 0.9 mm
Sensitivity adjustment	Teach button, Remote teach
Band speed (max.)	500 m/min
Readiness delay (max.)	150 ms



202981

KSSTI 1000 FG3K-TSSL

Capacitive label sensor

Technical data (typ.)

+20°C, 24 V DC

Ambient temperature during operation

0 ... +60 °C

Protection type

IP 65

Connection

Connector, M8, 4-pin

Connection cable

TK ... /4

More information / accessories

<https://www.di-soric.com/202981>