

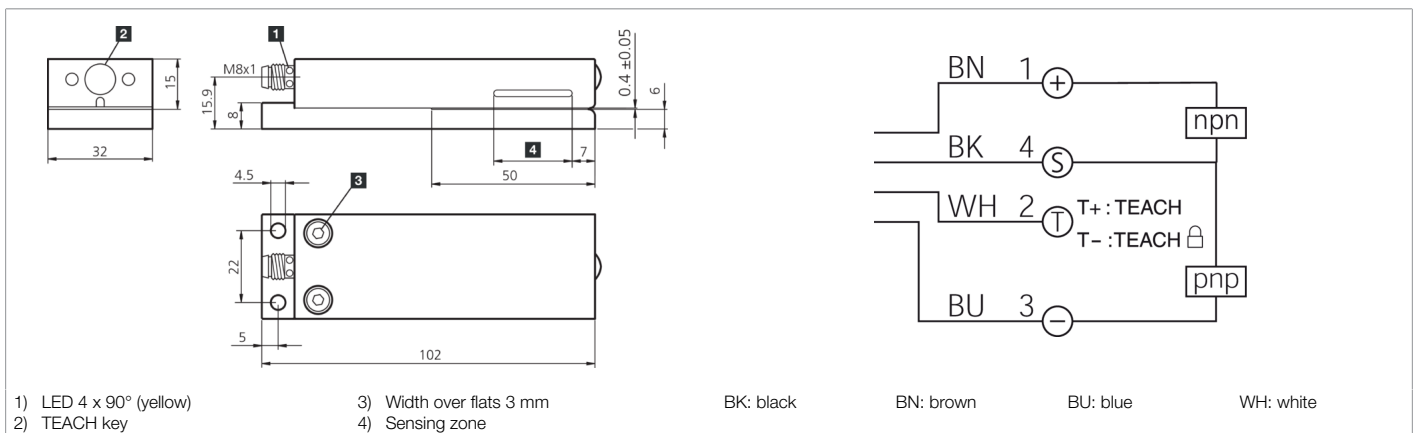


202883

KSSTI 400 FG3K-TSSL

Capacitive label sensor

- Detection of transparent labels, double layers, glue points, cracks, etc.
- Sensitivity adjustment via teach key
- Auto-teach during a running process
- Remote teach option with key-lock function
- Temperature and air humidity compensation
- Static functional principle
- Separated housing



| Function | | | | | | | | | | |
|----------|--|--|--|--|--|--|--|--|--|--|
| | | | | | | | | | | |

| Technical data (typ.) | +20°C, 24 V DC |
|------------------------------|--|
| Service voltage | 10 ... 35 V DC |
| No-load current (max.) | 70 mA |
| Insulation voltage endurance | 500 V |
| Leg length internal | 50 mm |
| Housing dimensions | 32 x 15 x 102 mm |
| Housing length | 102 mm |
| Housing height | 15 mm |
| Housing width | 32 mm |
| Housing material | Aluminum (Black, Anodized) |
| Protection class | III, operation on protective low voltage |
| Operating principle | Capacitive |
| Design | Fork |
| Product series | KSSTI Capacitive |
| Switching output | Push-pull, 200 mA, NO/NC, switchable |
| Voltage drop (max.) | 2.5 V |
| Fork opening | 0.4 mm |
| Switching hysteresis (max.) | material-dependent |
| Label length | > 2 mm |
| Label interspace | > 2 mm |
| Label thickness | < 0.3 mm |
| Sensitivity adjustment | Teach button, Remote teach |
| Band speed (max.) | 500 m/min |
| Readiness delay (max.) | 150 ms |



202883

KSSTI 400 FG3K-TSSL

Capacitive label sensor

Technical data (typ.)

+20°C, 24 V DC

Ambient temperature during operation

0 ... +60 °C

Protection type

IP 65

Connection

Connector, M8, 4-pin

Connection cable

TK ... /4

More information / accessories

<https://www.di-soric.com/202883>