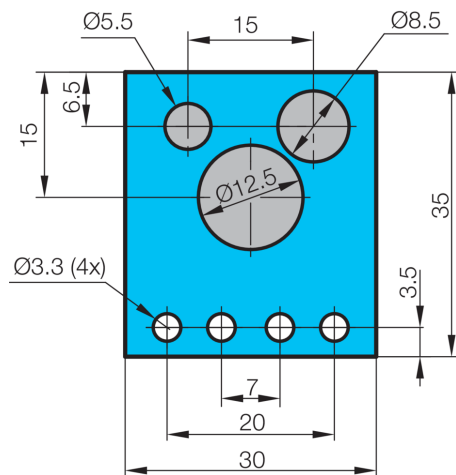
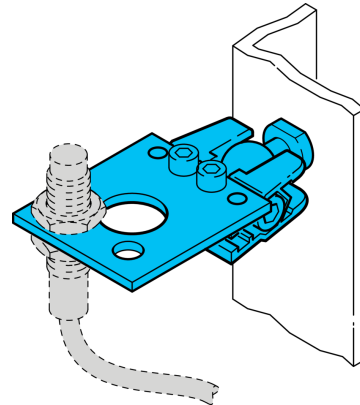




**202808**  
**SHB-M5-8-12**  
**Sensor holder**

- Set includes adapter plate and ball joint
- Universal mounting options
- Stepless adjustment
- For quick and easy mounting of sensors
- Central ball joint locking
- Stainless steel / steel galvanized



**Technical data (typ.)**

Mounting	<b>+20°C</b> Threaded bolt M6 x 10
Housing material	Steel (galvanized)
Component	Sensor holder (ball joint)
To be used for	Cylindrically designed housings 5, 8 and 12 mm
Scope of delivery	Sensor holder, Ball joint, Fixing material

**More information / accessories**

<https://www.di-soric.com/202808>