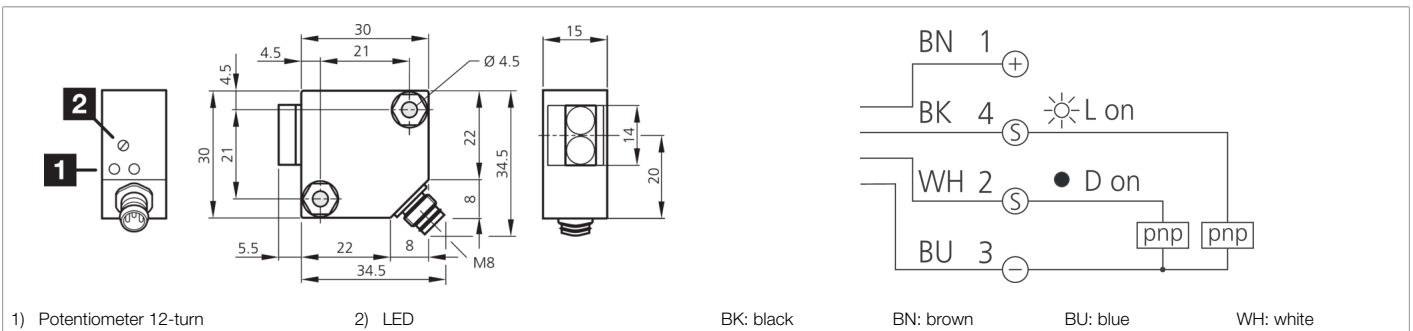


202754

ORV 30 K 4000 P4K-TSSL
Retroreflective sensor

- Compact design
- Red light
- 12-turn potentiometer
- Sensitivity adjustable, large operating distance
- Polarization filter



| Function | | | | | | | | | | |
|----------|--|--|--|--|--|--|--|--|--|--|
| | | | | | | | | | | |

| Technical data (typ.) | +20°C, 24 V DC |
|------------------------------|--|
| Service voltage | 10 ... 36 V DC |
| No-load current (max.) | 20 mA |
| Insulation voltage endurance | 500 V |
| Housing dimensions | 30 x 30 x 15 mm |
| Housing length | 30 mm |
| Housing height | 30 mm |
| Housing width | 15 mm |
| Housing material | Plastic (PBT) |
| Material | Glass (Window) |
| Protection class | III, operation on protective low voltage |
| Operating principle | Retroreflective sensor |
| Evaluation | digital |
| Design | Cuboid design |
| Characteristics | Integrated polarization filter |
| Switching output | pnp, 200 mA, antivalent |
| Voltage drop (max.) | 2 V |
| Light source | LED |
| Color | Red |
| Wavelength | 660 nm |
| Modulation | Clocked |
| Ambient light immunity | 10 kLx |
| Range | 200 ... 4000 mm |
| Referring reflector | Ø 84 mm, R 84 |
| Switching hysteresis (max.) | 10 % |
| Sensitivity adjustment | Potentiometer (12-turn) |
| Switching frequency | 1000 Hz |

**202754****ORV 30 K 4000 P4K-TSSL****Retroreflective sensor**

| | |
|---------------------------------------|--|
| Technical data (typ.) | +20°C, 24 V DC |
| Response time | 0.50 ms |
| Release time | 0.50 ms |
| Ambient temperature during operation | -25 ... +55 °C |
| Protection type | IP 67 |
| Connection | Connector, M8, 4-pin |
| Connection cable | TK ... /4 |
| More information / accessories | https://www.di-soric.com/202754 |