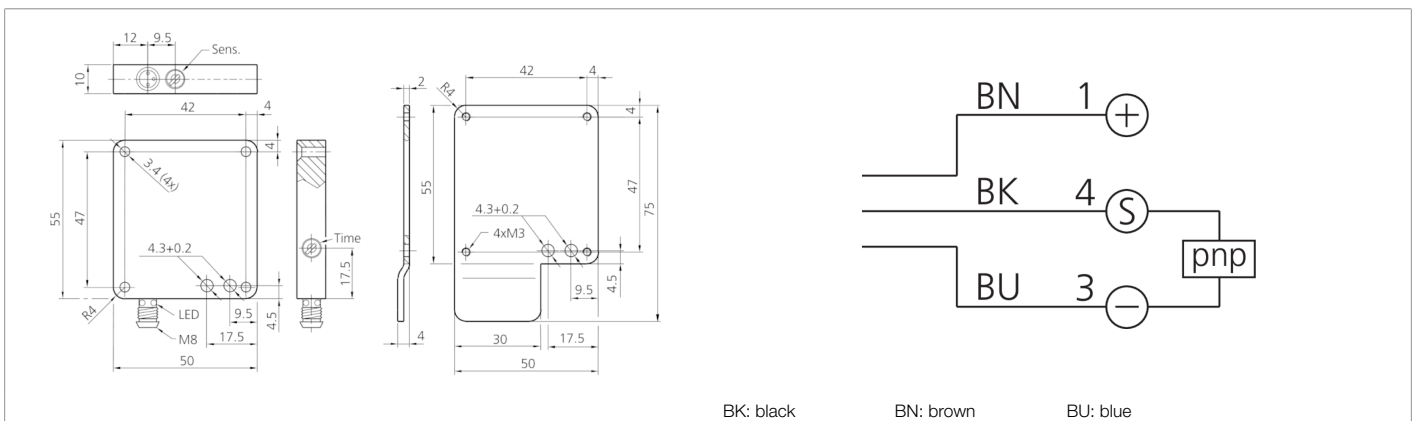
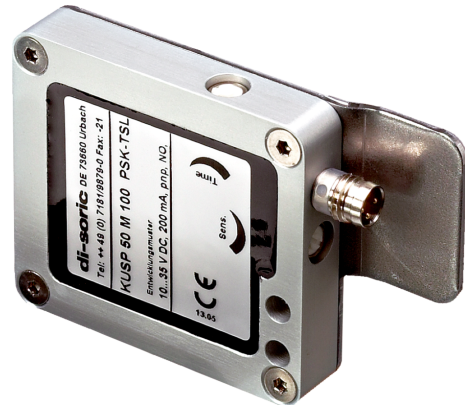




**202730**  
**KUSP 50 M 100 PSK-TSL**  
**Contact sensor**

- Detection through direct contact during ejection or free fall
- For screws, rivets, stamped parts, springs and non-metallic parts
- Adjustable suppression of multiple impulses
- Up to 100 parts per second
- Long life due to interchangeable baffle plate
- Proper function even under the most extreme conditions



Function											

Technical data (typ.)	+20°C, 24 V DC
Service voltage	10 ... 35 V DC
No-load current (max.)	15 mA
Housing material	Aluminum
Material	Heat-treatable steel (Baffle plate)
Protection class	III, operation on protective low voltage
Characteristics	Up to 100 parts per second
Scope of delivery	Contact sensor, baffle plate
Switching output	pnp, 200 mA, NO
Pulse stretching	0.1 ... 30 ms adjustable
Sensitivity	Steel ball Ø 3 mm from 20 mm height
Switching frequency	100 Hz
Response time	0.30 ms
Ambient temperature during operation	-25 ... +70 °C
Protection type	IP 67
Connection	Connector, M8, 3-pin
Connection cable	TK ...

**More information / accessories** <https://www.di-soric.com/202730>