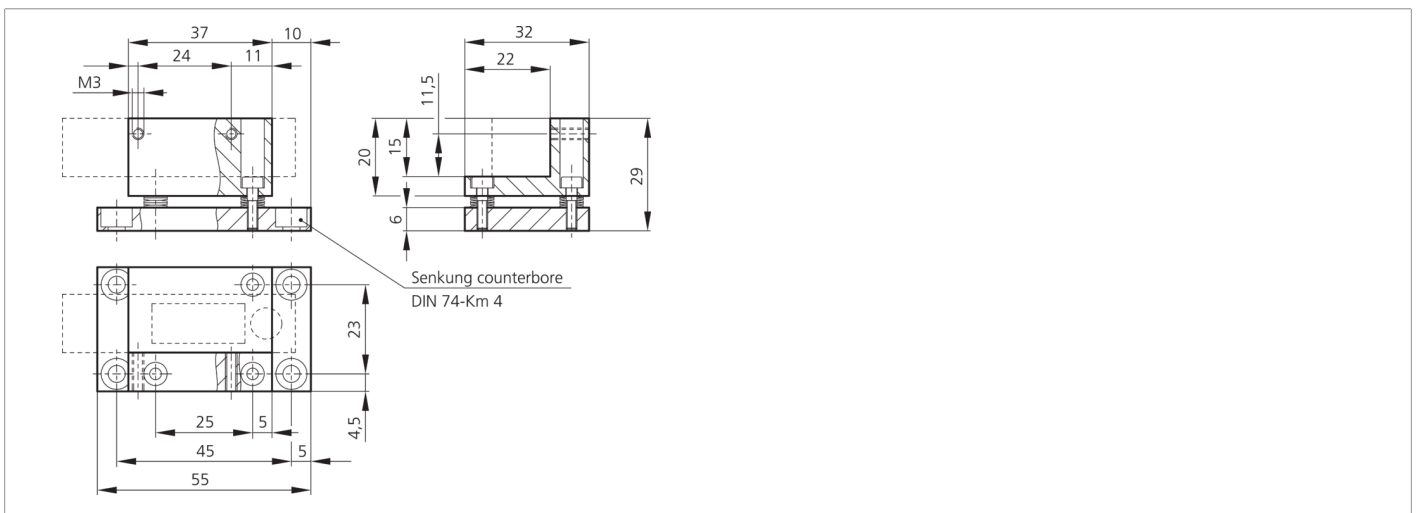
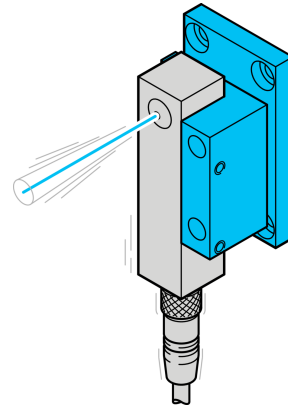




**202573**  
**TP-Q90**  
**Swash plate**

- Exact alignment using disk springs
- Robust design



**Technical data (typ.)**

Housing material	Aluminum
Component	Swash plate
Characteristics	Adjustable
To be used for	Housing series OLS Q10 ... / OLS Q15 ...

**+20°C**

**More information / accessories**

<https://www.di-soric.com/202573>