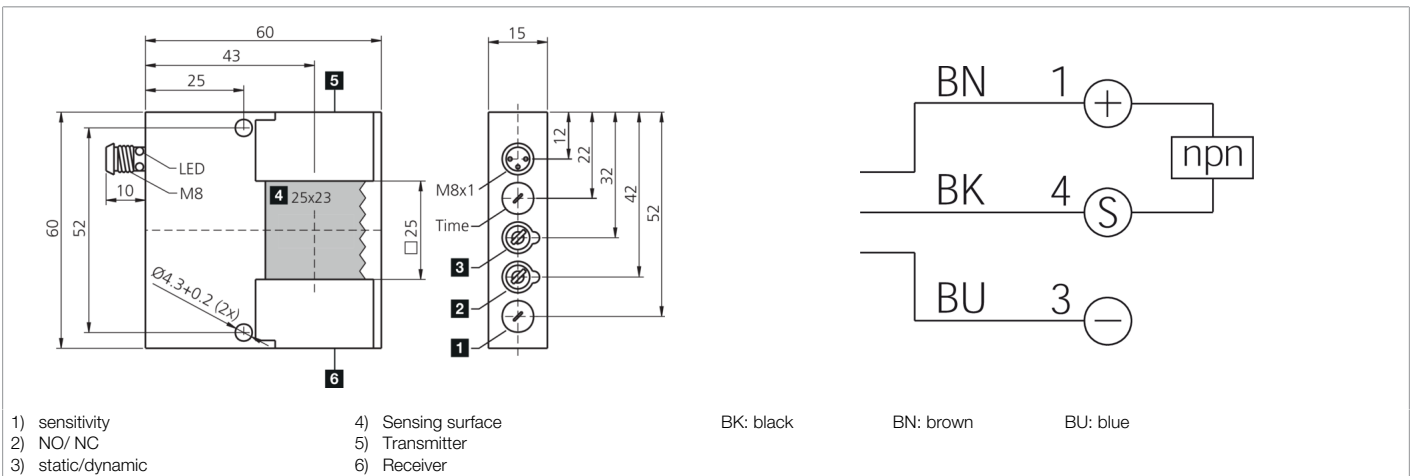




202367
OGWSD 25 N3K-TSSL
Frame light barrier

- Robust metal housing
- Metal potentiometer
- Cross bar, removable
- Easy to install
- NO/NC, switchable
- Variable operating principle: dynamic or static
- Sensitivity adjustment
- Pulse stretching adjustable
- High resolution
- Short response time



Function										

Technical data (typ.)	+20°C, 24 V DC
Service voltage	10 ... 35 V DC
No-load current (max.)	25 mA
Insulation voltage endurance	500 V
Housing material	Aluminum (Black, Anodized)
Protection class	III, operation on protective low voltage
Operating principle	Optical
Evaluation	digital, Dynamic/static switchable
Switching output	npn, 200 mA, NO/NC, switchable
Voltage drop (max.)	2.5 V
Pulse stretching	0.1 ... 150 ms adjustable
Light source	LED
Color	Infrared
Wavelength	940 nm
Modulation	Clocked
Ambient light immunity	30 kLx
Detection range	25 x 23 mm
Resolution	Ø 0.7 mm (dynamic), Ø 1.0 mm (static)
Sensitivity adjustment	Potentiometer
Response time	0.10 ms
Release time	0.10 ... 150 ms
Ambient temperature during operation	0 ... +60 °C
Protection type	IP 67



202367

OGWSD 25 N3K-TSSL

Frame light barrier

Technical data (typ.)

+20°C, 24 V DC

Connection

Connector, M8, 3-pin

Connection cable

TK ...

More information / accessories

<https://www.di-soric.com/202367>