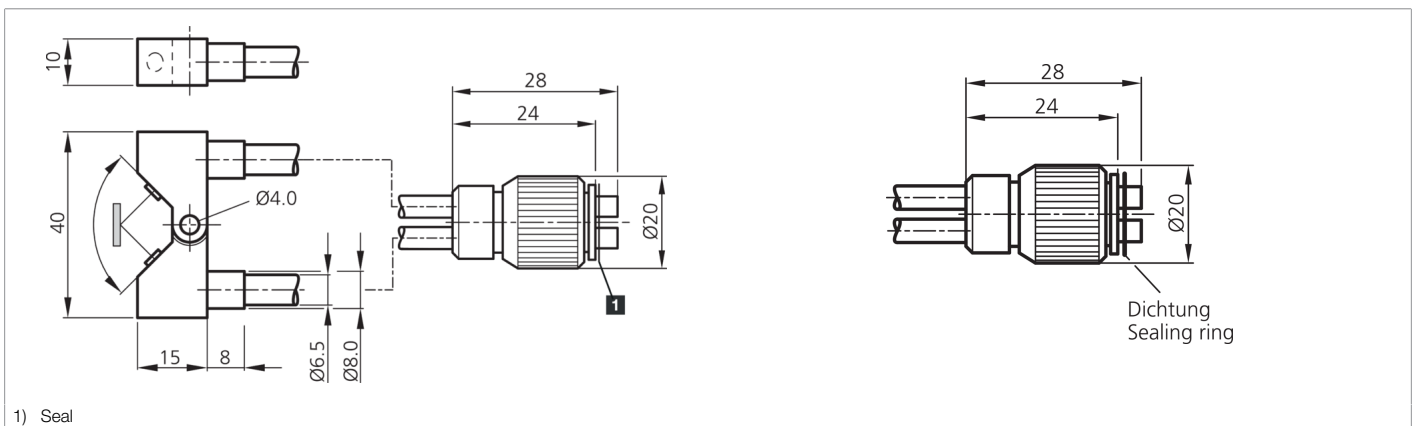




202102
WRB 220 SW
Glass fiber optics

- High-quality glass fibers
- Resistant to high temperatures
- Robust, highly flexible



Technical data (typ.)	+20°C, 24 V DC
Length	600 mm
Dimension fiber bundle	Ø 2.5 mm
Housing length	15 mm
Housing height	10 mm
Housing width	40 mm
Bending radius	> 3 x tube-Ø
Material of fiber	Glass fibers
Material	<ul style="list-style-type: none"> ■ Stainless steel (Sensor probe) ■ Silicone-metal sleeve (Coating)
Operating principle	Diffuse sensor
Design	Cuboid design
Single fiber	Ø 0.05 mm
To be used for	Amplifiers for glass fiber optics
Scanning range	10 ... 100 mm
Temperature resistance	-40 ... +180 °C (temporarily up to +250 °C)
Protection type	IP 67
More information / accessories	https://www.di-soric.com/202102