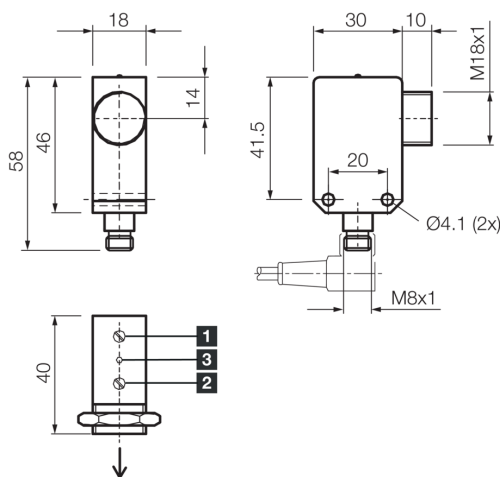
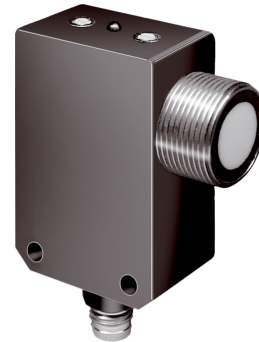




**201798**  
**US 46 K 500 PSSK-TSSL**  
**Ultrasonic sensor**

- Short blind zone
- Narrow scanning zone
- Oil-resistant
- No background effects
- Adjustable pulse stretching



- 1) Potentiometer transmission power      3) LED  
 2) Pulse stretching

**Function**



Technical data (typ.)	+20°C, 24 V DC
Service voltage	12 ... 28 V DC
No-load current (max.)	55 mA
Insulation voltage endurance	500 V
Housing dimensions	46 x 30 x 18 mm
Housing length	30 mm
Housing height	46 mm
Housing width	18 mm
Housing material	Stainless steel (V2A 1.4301 / AISI 304) / Plastic (PA)
Protection class	III, operation on protective low voltage
Operating principle	Ultrasonic sensor
Evaluation	digital
Design	Cuboid design
Switching output	pnp, 100 mA, NO
Switching distance	120 ... 500 mm
Switching hysteresis (max.)	10 %
Reproducibility	< 1 % / Sn max.
Sensitivity adjustment	Potentiometer
Ultrasonic frequency	175 kHz
Switching frequency	2 Hz
Response time	10 ms



**201798**

**US 46 K 500 PSSK-TSSL**

**Ultrasonic sensor**

**Technical data (typ.)**

**+20°C, 24 V DC**

Release time

400 ... 8000 ms (adjustable)

Ambient temperature during operation

-20 ... +50 °C

Temperature drift

-0.1 %/K (Switching output), -0.17 %/K (Air path)

Protection type

IP 67

Connection

Connector, M8, 4-pin

Connection cable

TK ... /4

**More information / accessories**

<https://www.di-soric.com/201798>