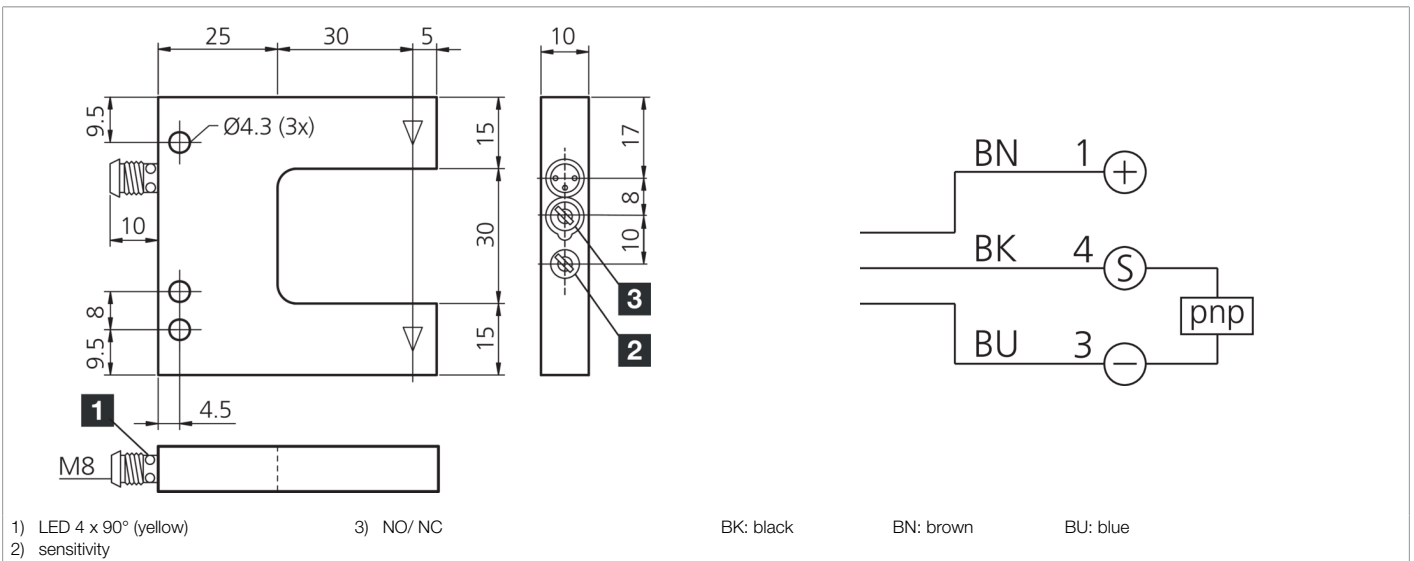
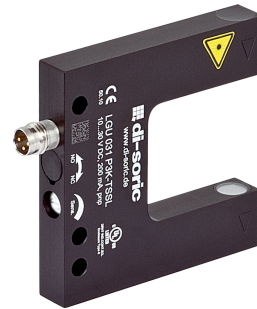




**200983**  
**LGU 031 P3K-TSSL**  
**Laser fork light barrier**

- Extremely high resolution
- Reproducibility 0.01 mm
- Mountable side by side
- Visible laser spot
- High switching frequency
- Light/dark switching
- Metal casing
- Laser class 1
- Extremely bright ring LED



Function										

Technical data (typ.)	+20°C, 24 V DC
Service voltage	10 ... 35 V DC (Supply Class 2)
No-load current (max.)	30 mA
Insulation voltage endurance	250 V
Leg length internal	35 mm
Housing dimensions	60 x 60 x 10 mm
Housing length	60 mm
Housing height	60 mm
Housing width	10 mm
Housing material	Aluminum (Black, Anodized)
Protection class	III, operation on protective low voltage
Approvals	UL
Operating principle	Optical
Evaluation	digital
Design	Fork
Switching output	pnp, 200 mA, NO/NC, switchable
Voltage drop (max.)	2.8 V
Light source	Laser
Laser class	CLASS 1 LASER PRODUCT, 1 (IEC 60825-1:2014 / EN 60825-1:2014)
Color	Red
Wavelength	650 nm



**200983**  
**LGU 031 P3K-TSSL**  
**Laser fork light barrier**

<b>Technical data (typ.)</b>	<b>+20°C, 24 V DC</b>
Modulation	Clocked
Laser power	< 100 µW
Ambient light immunity	40 kLx
Fork opening	30 mm
Resolution	Ø 0.05 mm
Switching hysteresis (max.)	0.02 mm
Reproducibility	0.01 mm
Sensitivity adjustment	Potentiometer
Switching frequency	3000 Hz
Ambient temperature during operation	+5 ... +45 °C
Protection type	IP 67
Connection	Connector, M8, 3-pin
Connection cable	TK ...
<b>More information / accessories</b>	<b><a href="https://www.di-soric.com/200983">https://www.di-soric.com/200983</a></b>