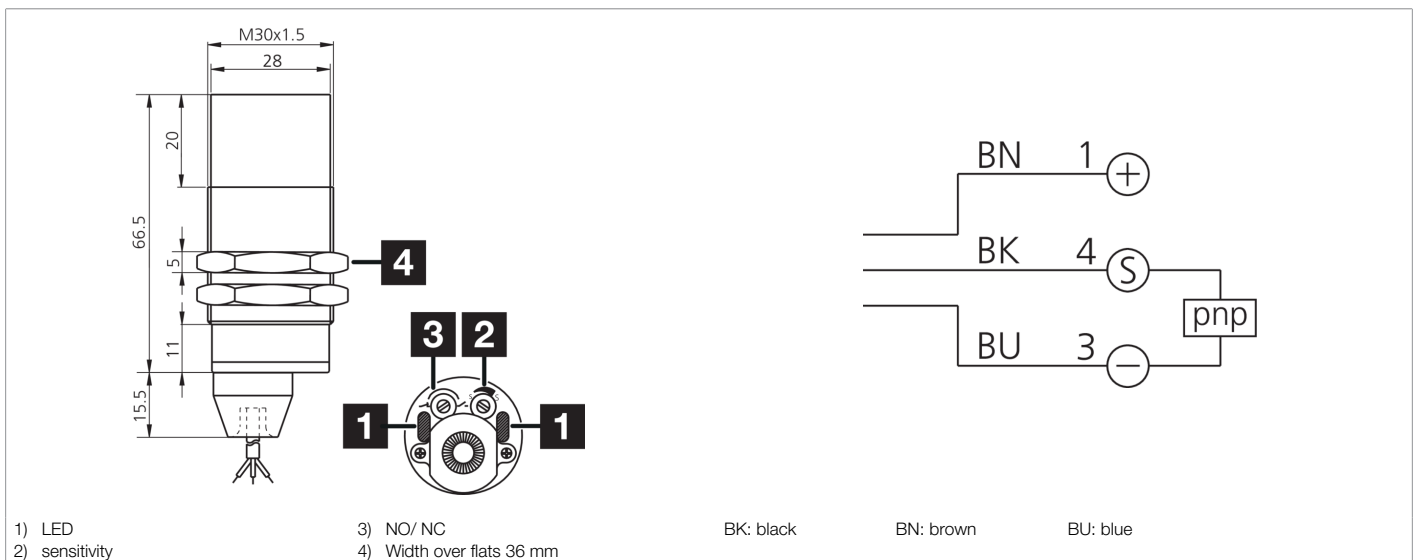




200848
KDC 30 K 30 PSOLK
Capacitive proximity switch

- Detection of electrically conductive and electrically non-conductive materials
- Detection of liquids, powdery and solid materials
- Detection possible even through containers and packaging
- Sensitivity is adjustable
- Highly flexible cable
- Integrated amplifier
- Short-circuit protection
- Starting pulse suppression
- LED



Function										

Technical data (typ.)	+20°C, 24 V DC
Service voltage	10 ... 35 V DC
No-load current (max.)	10 mA
Insulation voltage endurance	500 V
Installation type	non-flush
Thread	M30 x 1.5
Housing length	82 mm
Housing material	Plastic
Material of cable	PVC
Protection class	III, operation on protective low voltage
Operating principle	Capacitive
Evaluation	digital
Design	Thread
Scope of delivery	2 x M30 nuts
Switching output	pnp, 300 mA, NO/NC, switchable
Voltage drop (max.)	1.8 V
Switching distance (SN)	30 mm
Standardized measuring plate	90 x 90 x 1 mm
Switching hysteresis (max.)	15 %
Sensitivity adjustment	Potentiometer



200848

KDC 30 K 30 PSOLK

Capacitive proximity switch

Technical data (typ.)

+20°C, 24 V DC

Switching frequency

100 Hz

Ambient temperature during operation

-30 ... +70 °C

Protection type

IP 68 (Front side) / IP 64 (Back side)

Connection

Cable, 2.0 m

More information / accessories

<https://www.di-soric.com/200848>