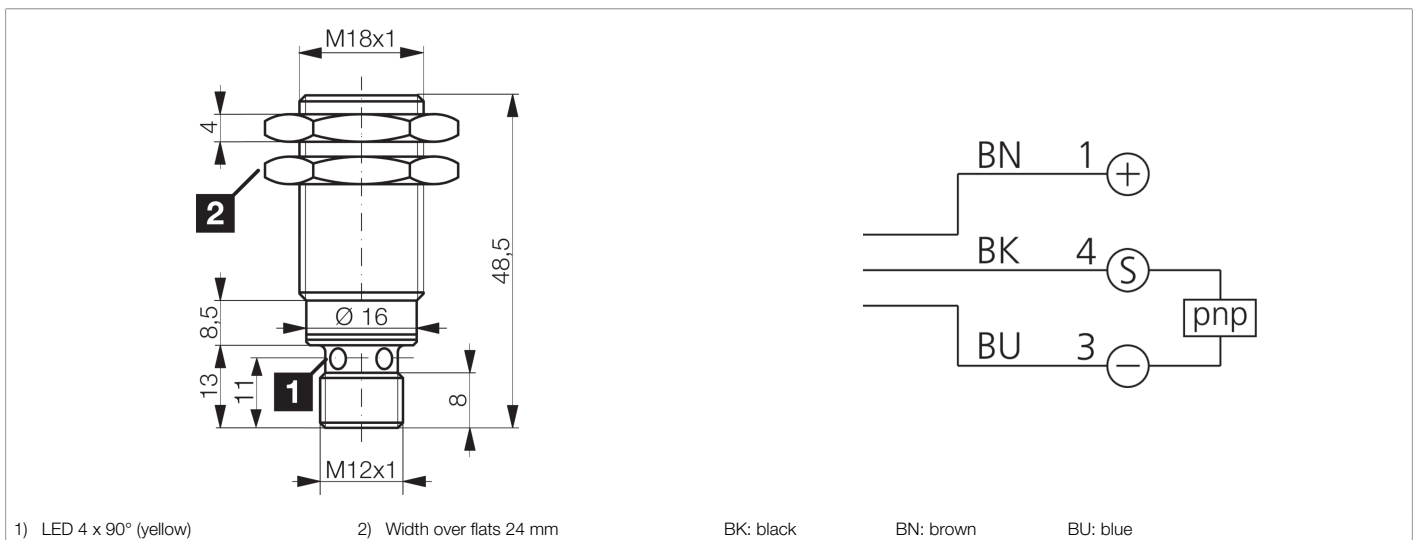




200485
DCCK 18 M 12 PSK-IBSL
Inductive proximity sensor

- Metal connector
- Integrated amplifier
- Short-circuit protection
- Starting pulse suppression
- LED



| Function | | | | | | | | | | | |
|----------|--|--|--|--|--|--|--|--|--|--|--|
| | | | | | | | | | | | |

| Technical data (typ.) | +20°C, 24 V DC |
|--------------------------------------|--|
| Service voltage | 10 ... 30 V DC |
| Internal power consumption | < 10 mA |
| Insulation voltage endurance | According to IEC 60947-5-2 (7.2.3.1) |
| Installation type | quasi-flush |
| Thread | M18 x 1 |
| Housing length | 48.5 mm |
| Housing material | Brass (chromium-plated) |
| Protection class | III, operation on protective low voltage |
| Operating principle | inductive |
| Evaluation | digital |
| Design | Thread |
| Characteristics | extremely high operating distance |
| Switching output | pnp, 200 mA, NO |
| Voltage drop (max.) | 2 V (200 mA) |
| Switching distance (SN) | 12 mm |
| Standardized measuring plate | 36 x 36 x 1 mm |
| Switching hysteresis (max.) | < 3 ... < 15 % |
| Switching frequency | 600 Hz |
| Ambient temperature during operation | -25 ... +70 °C |
| Protection type | IP 67 |



200485

DCCK 18 M 12 PSK-IBSL

Inductive proximity sensor

Technical data (typ.)

+20°C, 24 V DC

Connection

Connector, M12, 4-pin, A-coded

Connection cable

VK ...

More information / accessories

<https://www.di-soric.com/200485>