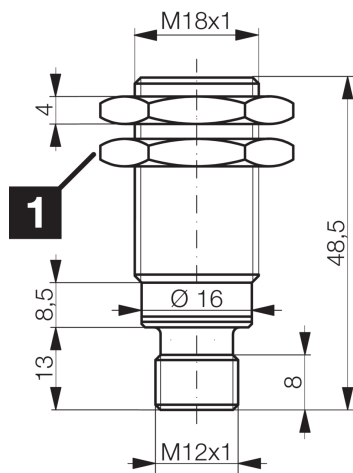




200484
DCCK 18 M 10/10 AIK-IBS
Inductive proximity sensor

- Analog voltage output
- Analog current output
- Metal connector
- Integrated amplifier
- Short-circuit protection



1) Width over flats 24 mm

BK: black

BN: brown

BU: blue

WH: white

Function



Technical data (typ.)

+20°C, 24 V DC

| | |
|--------------------------------------|--|
| Service voltage | 15 ... 30 V DC |
| Internal power consumption | 12 mA |
| Insulation voltage endurance | According to IEC 60947-5-2 (7.2.3.1) |
| Installation type | quasi-flush |
| Thread | M18 x 1 |
| Housing length | 48.5 mm |
| Housing material | Brass (CuZn, nickel-plated) |
| Tightening torque | 25 Nm |
| Protection class | III, operation on protective low voltage |
| Operating principle | inductive |
| Evaluation | analog |
| Design | Thread |
| Characteristics | extremely high operating distance |
| Product series | INA Analog |
| Analog output | 0 ... 10 V, 4 ... 20 mA |
| Switching distance (SN) | 0 ... 10 mm |
| Standardized measuring plate | 30 x 30 x 1 mm |
| Switching frequency | 500 Hz |
| Ambient temperature during operation | -25 ... +70 °C |
| Protection type | IP 67 |



200484

DCCK 18 M 10/10 AIK-IBS

Inductive proximity sensor

Technical data (typ.)

+20°C, 24 V DC

Connection

Connector, M12, 4-pin, A-coded

Connection cable

VK ...

More information / accessories

<https://www.di-soric.com/200484>