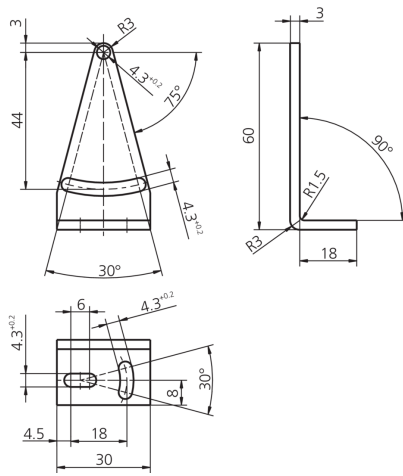
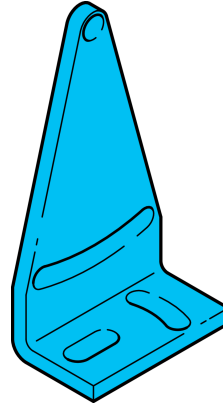




200029
BW 50
Mounting bracket

- Adjustable
- Robust design



Technical data (typ.)

Hole spacing	44 mm
Mounting	Hole / slotted
Mounting diameter	Ø 4.3 mm
Housing material	Metal
Component	Mounting bracket
To be used for	Device series O-50 Metal
Scope of delivery	Mounting bracket, Fixing material

More information / accessories

<https://www.di-soric.com/200029>